

**DEPARTMENT OF ENVIRONMENTAL PROTECTION
BUREAU OF WATERWAYS ENGINEERING AND WETLANDS
GENERAL PERMIT
BWEW-GP-5
UTILITY LINE STREAM CROSSINGS**

1. **GENERAL DESCRIPTION AND AUTHORITY** - The Department of Environmental Protection hereby authorizes, by general permit, subject to the terms and criteria set forth, the installation, operation and maintenance of utility line stream crossings of the regulated waters of the Commonwealth. This authorization is under Section 7 of the Dam Safety and Encroachments Act, 32 P.S. §§693.7, et seq., and the rules and regulations promulgated thereunder at §§105.441-105.449 (relating to general permits).

2. **DENIAL OF AUTHORIZATION** - The Department shall have the discretion, on a case-by-case basis, to deny, revoke or suspend the authorization to use this general permit for any project which the Department determines to have a substantial risk to life, property or the environment or otherwise could not be adequately regulated by the provisions of this general permit.

3. **DEFINITIONS** - The following terms as used in this general permit shall have the following meanings:

BODY OF WATER - Any natural or artificial lake, pond, reservoir, swamp, marsh or wetland.

FLOODWAY - The channel of the watercourse and those portions of the adjoining floodplains which are reasonably required to carry and discharge the 100-year frequency flood.

INSTALL - To construct, deposit, place, lay or set in place.

OWNER - Any person who owns, controls, operates, maintains, or manages a dam or reservoir, water obstruction, or encroachment.

PERSON - Any natural person, partnership, association, corporation, public utility, municipality, municipal authority, political subdivision of the Commonwealth, receiver or trustee and any department, board, commission, or authority of the Commonwealth.

REGULATED WATERS OF THE COMMONWEALTH - All watercourses, streams or bodies of water and their floodways wholly or partly within or forming part of the boundary of this Commonwealth.

RESERVOIR - Any basin, either natural or artificial, which contains or will contain the water or other fluid or semifluid impounded by a dam.

STOCKED TROUT STREAM - Streams classified as approved trout waters by the Fish and Boat Commission. Classification may be verified by contacting the Fish and Boat Commission's Regional Office or the Division of Environmental Services. See "Exhibit A".

SUBMERGED LANDS OF THIS COMMONWEALTH - All waters and permanently or periodically inundated lands owned by the Commonwealth, including all lands in the beds of navigable lakes and rivers and beds of streams declared public highways which are owned and held in trust by the Commonwealth.

UTILITY LINE - Any pipe or pipeline for the transportation of a gaseous, liquid, liquifiable or slurry substance or, any cable, conduit, line or wire for the transmission of electrical energy, telephone, telegraph, radio, or television signals, including cathodic corrosion protection.

WATERCOURSE - Any channel or conveyance of surface water having defined bed and banks, whether natural or artificial, with perennial or intermittent flow.

WETLANDS - Those areas that are inundated or saturated by surface or groundwater at a frequency and duration sufficient to support, and that under normal circumstances do support, a prevalence of vegetation typically adopted for life in saturated soil conditions, including swamps, marshes, bogs and similar areas. The term includes but is not limited to wetland areas listed in the State Water Plan, the United States Forest Service Wetlands Inventory of Pennsylvania, the United States Fish and Wildlife Service Wetlands Inventory Maps, as utilized by the Pennsylvania Coastal Zone Management Program and any wetland area designated by a river basin commission.

WILD TROUT STREAMS - Streams classified as supporting reproducing trout populations by the Fish and Boat Commission. Classification may be verified by contacting the Fish and Boat Commission's Regional Office or the Division of Environmental Services. See "Exhibit A".

4. **SUBMERGED LANDS OF THIS COMMONWEALTH** - This General Permit shall not be effective to authorize any project over, across or occupying submerged lands of this Commonwealth until the owner has obtained a license from the Department authorizing the occupation of such submerged lands issued under Section 15 of the Dam Safety and Encroachments Act, (32 P.S. §693.15), Section 514 of The Administrative Code of 1929 (71 P.S. §194), or other applicable laws. Upon receipt of notification from the owner, the Department will review the project to determine if its location is over, across or occupies submerged lands of the Commonwealth.
5. **SPECIFIC AREAS WHERE GENERAL PERMIT DOES NOT APPLY** - This general permit is not authorized in the following areas:
 - a. Historic, cultural or archaeological sites as identified in the latest published version of the Pennsylvania Inventory of Historical Places or the National Register of Historical Places.
 - b. Local historical sites officially approved or recognized by a municipality.
 - c. Sites identified in the latest published version of the National Registry of Natural Landmarks.
 - d. Areas in or within 100 feet of a watercourse or body of water designated as or nominated for a National or State Wild or Scenic River in accordance with the National Wild and Scenic Rivers Act of 1968 or the Pennsylvania Scenic Rivers Act (32 P.S. §§820.21-820.29).
 - e. Important wetlands regulated under §105.17 (relating to special criteria for projects affecting important wetlands).
 - f. Wetlands, greater than ten (10) acres in size.
 - g. Stocked trout streams from March 1 through June 15, wild trout streams from October 1 through December 31 and Lake Erie tributaries from September 1 through December 1 unless approval is obtained from the Fish and Boat Commission's Division of Environmental Services.
 - h. Reservoirs.
 - i. Streams or water bodies designated as Exceptional Value Waters as defined and listed in Chapter 93 (relating to water quality standards).
6. **OTHER PERMITS** - Nothing in this General Permit relieves the owners of the obligation of complying with all Federal, Interstate Compact and State laws, regulations and standards for the construction, operation or maintenance of the utility lines.
7. **NOTIFICATION OF PROPOSED USE OF GENERAL PERMIT** - Prior to construction the owners shall submit the General Permit Registration form along with the required attachments to the delegated County Conservation District or to the appropriate DEP Regional Office's Permitting

and Technical Services Section (see attached listings). A copy of the General Permit Registration form shall also be sent to the municipality and county in which the work will be performed. **The owner may not begin work until he has notified the appropriate office and received an acknowledgement of that notification.**

8. **FEES** - The fee required for a project authorized under this General Permit shall be consistent with 25 PA Code §105.13 (relating to regulated activities – information and fees).
9. **EFFECTIVE TIME PERIOD** - This general permit will remain in effect indefinitely unless specifically modified, suspended or revised by the Department.
10. **SUSPENSION, MODIFICATION OR REVOCATION** - The Department may suspend, modify, or revoke this General Permit at any time upon notice in the Pennsylvania Bulletin.
11. **PROJECT INTERFERENCE** - This general permit does not authorize any interference with any existing or proposed Local, State, Federal or Federally Licensed Project, and permittee shall not be entitled to compensation for damage or injury to the work authorized herein which may be caused by or a result of existing or future operations undertaken by the United States, the Commonwealth of Pennsylvania or its Political Subdivisions in the public interest.
12. **CONDITIONS**
 - a. The maximum size utility line allowed is 36 inches in diameter.
 - b. All utility lines under streambeds shall be located such that there will be a minimum of three (3) feet of cover between the top of the utility line or encasement and the lowest point in the natural contour of the streambed, unless the utility line is in rock, where a minimum cover of one (1) foot shall be provided.
 - c. Trenches excavated for the installation of utility lines shall be the minimum width necessary. As soon as the utility line is installed and tested to ascertain no leakage, appropriate new or previously excavated backfill material shall be placed in the trench and the area restored to its original condition and elevation and stabilized. Backfill material stored in connection with the installation must be properly retained out of the floodway so as to prevent its discharge, washings or runoff from entering the waterway prior to its placement as backfill.
 - d. Adequate measures shall be used to prevent sedimentation from the trench from entering the stream.
 - e. The backfilling of the trench in which the pipe will be laid shall be done so as to eliminate the formation of a permanent ridge in the streambed.
 - f. During construction activities, all public and private property including existing vegetation, landscape features and monuments within, along and adjacent to the work area, shall be protected and preserved to the maximum degree possible. This shall include, but not be limited to, precautions taken to minimize damage, erosion, injury, or destruction; prevent pollution; provide protection of all trees and other woody plants; special care being taken to protect the natural vegetation and surroundings to include all natural drainageways, ponds, lakes, swamps, woods and fields; and storage of materials in such manner to prevent leaching which would be injurious to soils and to plants. Precautions should be taken to prevent damage to pipes, conduits and other underground structures.
 - g. Archaeological artifacts discovered during the performance of work authorized under this general permit must be adequately protected and their discovery promptly reported to the Bureau for Historic Preservation, Historical and Museum Commission, 400 North Street, Second Floor, Harrisburg, PA 17120-0093, telephone (717) 783-8946.

- h. Owners shall investigate for drinking water intakes or reservoirs for public and private water supplies within five (5) miles downstream of the crossing and written notice shall be given at least ten (10) days prior to construction to operators of any such intakes or reservoirs. Owners must notify public and private water supply operators immediately and no longer than one (1) hour after an occurrence at the crossing site which results in the release of suspended solids and turbidity to the stream.
- i. Mats, pads, or other similar devices shall be used where crossings of wetland areas by construction equipment cannot be avoided. Original grades through wetlands must be restored after trenching and backfilling. Any excess fill material must be removed from the wetland and not spread on-site. Mounding of fill material to allow for settlement in the trench will be permitted in accordance with best construction methods.
- j. Deposition of dredged or excavated materials and all earthwork operations will be carried out in such a way as to minimize erosion of the material and preclude its entering into any wetland adjacent to the utility line crossing.
- k. Utility line crossings of streams should be accomplished so that the line is at a right angle to the stream where possible, unless the crossing is installed on an existing bridge.
- 1. Whenever possible, in accordance with best construction methods utility line crossings are to be made "in the dry" by installing sandbag and plastic dams and piping stream flow through the affected area.
- m. Prior to the use of explosives in a watercourse or body of water the permittee shall secure a written permit from the Fish and Boat Commission, under the Pennsylvania Fish and Boat Code 30 Pa. C.S. §2906 (relating to permits for use of explosives). Requests should be directed to the Fish and Boat Commission, Division of Environmental Services (see "Exhibit A").

13. **POLLUTION INCIDENT PREVENTION AND MITIGATION** - For projects constructed under the authorization of this General Permit which transmit hazardous or toxic material, the owner shall take the following actions to prevent or alleviate the harm from pollution, under the requirement of Chapter 101 (relating to special water pollution regulations):

- a. Develop and implement a Preparedness, Prevention and Contingency (PPC) Plan in accordance with Departmental guidelines. The Department reserves the right to require the PPC Plan to be revised or amended for any deficiencies subsequently identified by the Department.
- b. In the event a pollution incident occurs which causes or threatens to cause surface or groundwater pollution, the owner shall:
 - (1) promptly notify the Department by telephone of the location and nature of the danger,
 - (2) notify all known downstream users of the water,
 - (3) immediately take all necessary steps to prevent injury to property and downstream users, and protect waters from pollution or danger of pollution,
 - (4) remove any contamination from affected ground or surface water to the extent required by the Department.

14. **DEPARTMENT INSPECTION** - As a condition of use of this general permit, and of the owner's authority to conduct the activities authorized by this general permit, the owner hereby authorizes and consents to allow authorized employees or agents of the Department, without advance notice or a search warrant, at any reasonable time and upon presentation of appropriate credentials, and without delay, to have access to and to inspect all areas where the project is being constructed,

operated or maintained. The authorization and consent shall include consent to conduct tests or sampling, to take photographs, to perform measurements, surveys and other tests, to inspect the methods of construction, operation or maintenance, to examine and copy books, papers and records pertinent to any matter under investigation, and to take any other action necessary to assure that the project is constructed, operated or maintained in accordance with the terms and criteria of the general permit. This general permit condition is referenced in accordance with Section 16 of the Dam Safety and Encroachments Act, 32 P.S. §693.16, and in no way limits any other powers granted under the Dam Safety and Encroachments Act.

15. **ACTIVITIES NOT IN ACCORDANCE WITH THE TERMS OR CONDITIONS** - If the Department determines, upon inspection, that the construction, operation or maintenance of a project has violated the terms or conditions of this general permit or of Chapter 105, the Department may take such actions, legal or administrative, that it may deem to be appropriate.
16. **STRUCTURE REMOVAL** - The owner shall remove all or any portion of the utility line project upon written notification to the owner by the Department in the event the project is causing an adverse impact on public health, safety or the environment or in any other manner violates the conditions of this general permit or Chapter 105.
17. **PROPERTY RIGHTS** - This general permit does not convey any property rights, either in real estate or material, or any exclusive privileges; nor does it authorize any injury to property or invasion of rights or any infringement of Federal, State or local laws or regulations.
18. **OTHER APPROVALS** - The owner shall secure all other approvals that may be necessary under other Federal, State or local laws or regulations, including the specific permission of owners of bridges or other structures to which the utility line may be attached.
19. **FISH AND BOAT COMMISSION NOTIFICATION** - The owner shall notify the Pennsylvania Fish and Boat Commission's Regional Field Office Manager, see "Exhibit A", responsible for the County where the activities are proposed ten (10) days prior to start of construction. Notification by postcard is suggested. The project site shall at all times be available for inspection by authorized officers and employees of the Fish and Boat Commission.
20. **BEST MANAGEMENT PRACTICES** - Work must be done in compliance with Chapter 102 (relating to Erosion Control). Prior to construction an Erosion and Sediment Control Plan must be reviewed and determined adequate by the County Conservation District in which the activities are proposed and implemented prior to, during and after construction. The County Conservation District shall be notified ten (10) days prior to the start of construction. The project site shall at all times be available for inspection by authorized employees of the County Conservation District. The Erosion and Sediment Control Plan shall be available at the site.
21. **UTILIZATION OF GENERAL PERMIT BWEW-GP-8, TEMPORARY ROAD CROSSINGS** - Temporary road crossings of streams and causeways that are necessary for equipment to move back and forth across a stream and located adjacent to the utility line crossing are authorized by and must be constructed in accordance with BWEW-GP-8. The owner shall indicate utilization of BWEW-GP-8 on the General Permit Registration form. An owner constructing temporary road crossings in those areas excluded from the application of BWEW-GP-8 must apply for an individual water obstruction permit for those road crossings.

GENERAL PERMIT:

B.D.W.M. GP-5

APPLICANT/CLIENT _____

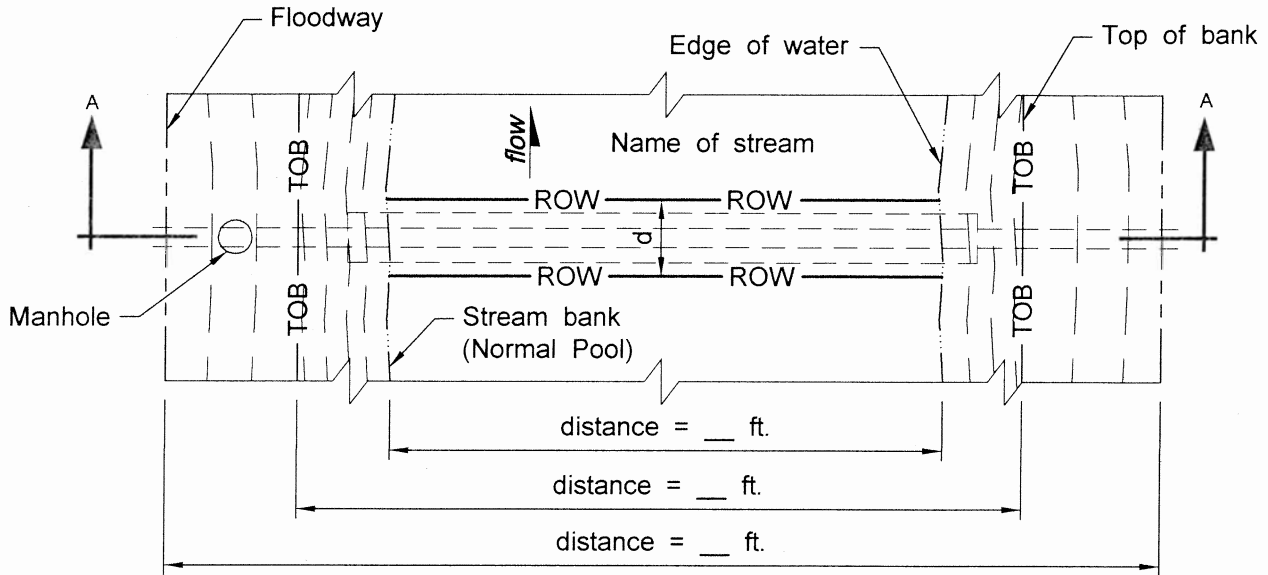
UTILITY LINE STREAM CROSSING

MUNICIPALITY _____

Dwg. No. 1

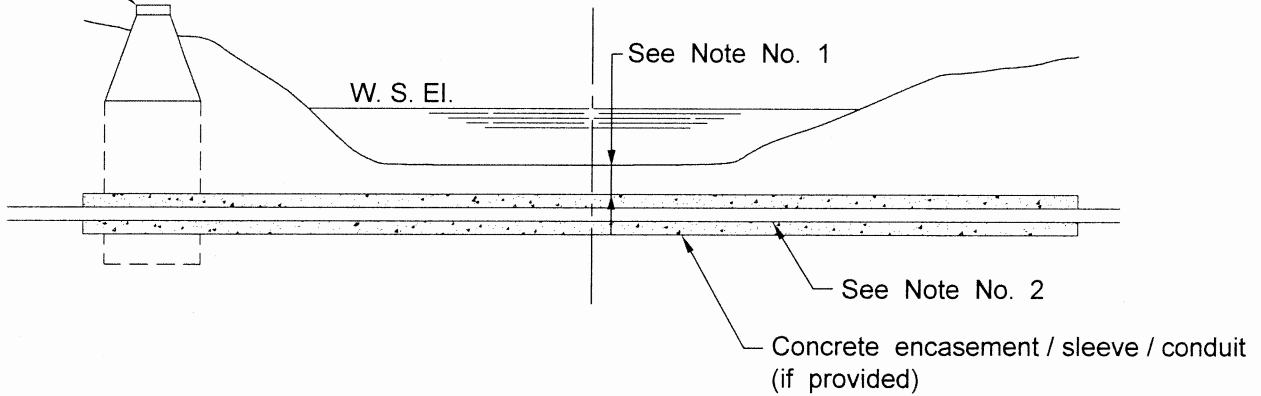
UNDER STREAM

COUNTY _____



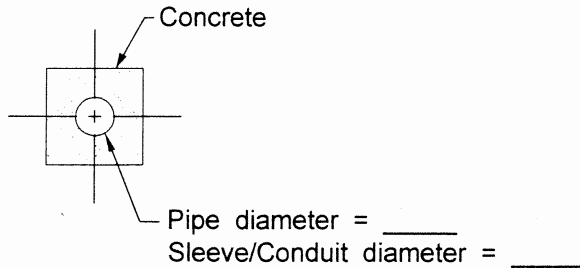
PLAN

See Note No. 3



ELEVATION

ENCASEMENT IN ACCORDANCE WITH
ENGINEERING STANDARD



CONCRETE ENCASEMENT CROSS SECTION A-A

GENERAL NOTES:

1. Minimum of 3' of cover over utility line or encasement/sleeve/conduit except in rock where 1' of cover shall be provided.
2. Utility line encasement/sleeve/conduit shall be installed with sufficient horizontal length to allow for future channel expansion.
3. Manholes may not be constructed within the channel.
4. "d" denotes required Right-of-Way width of proposed utility line.

GENERAL PERMIT:

B.D.W.M. GP-5

APPLICANT/CLIENT _____

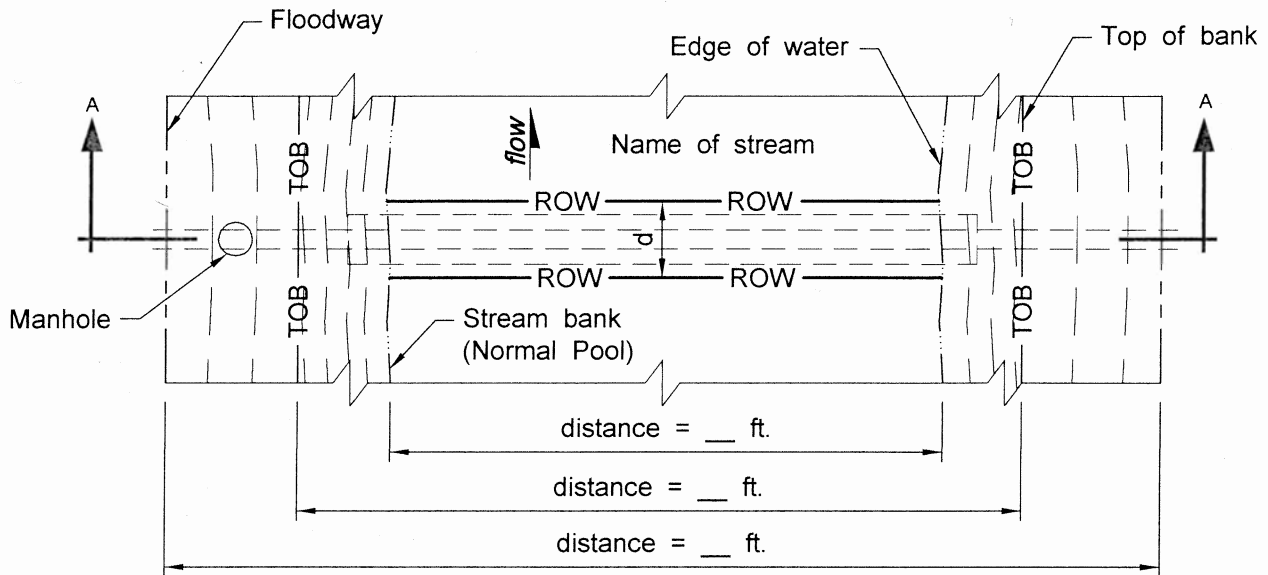
UTILITY LINE STREAM CROSSING

MUNICIPALITY _____

Dwg. No. 2

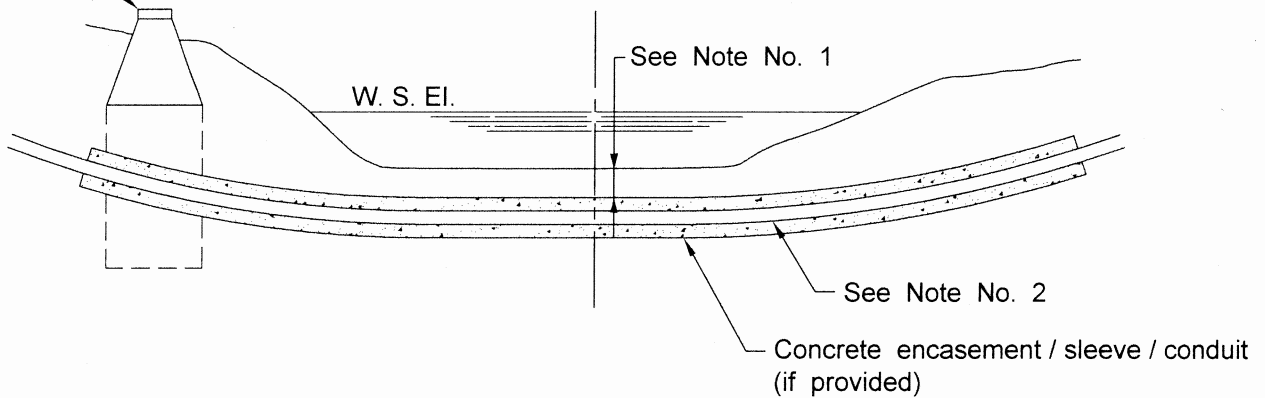
UNDER STREAM

COUNTY _____



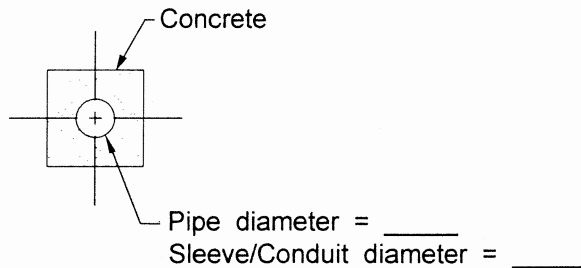
PLAN

See Note No. 3



ELEVATION

ENCASEMENT IN ACCORDANCE WITH
ENGINEERING STANDARD



CONCRETE ENCASEMENT CROSS SECTION A-A

GENERAL NOTES:

1. Minimum of 3' of cover over utility line or encasement/sleeve/conduit except in rock where 1' of cover shall be provided.
2. Utility line encasement/sleeve/conduit shall be installed with sufficient horizontal length to allow for future channel expansion.
3. Manholes may not be constructed within the channel.
4. "d" denotes required Right-of-Way width of proposed utility line.

GENERAL PERMIT:

B.D.W.M. GP-5

APPLICANT/CLIENT _____

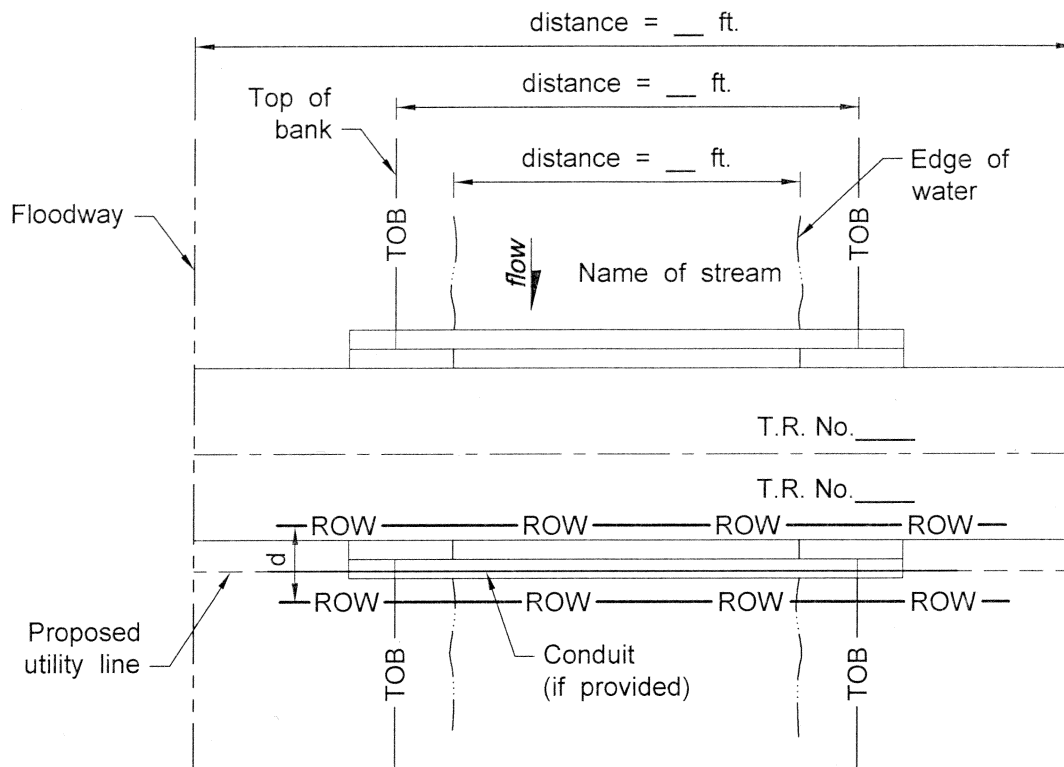
UTILITY LINE STREAM CROSSING

MUNICIPALITY _____

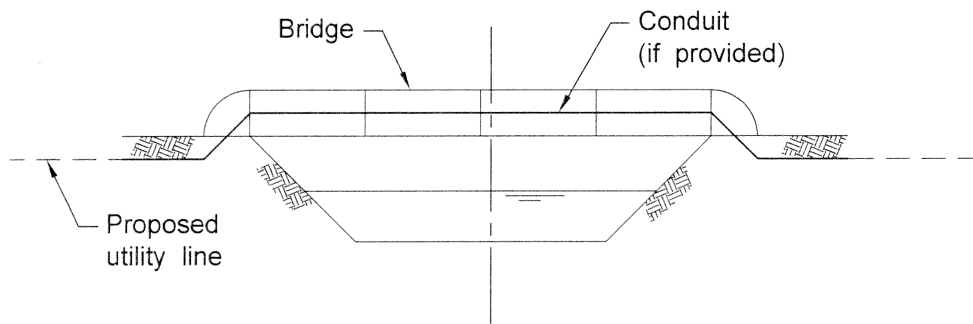
ATTACHED TO EXISTING BRIDGE

COUNTY _____

Dwg. No. 3



PLAN



ELEVATION

GENERAL NOTES:

1. Utility line cannot be placed below the lowest part (structure) of bridge i.e. within the waterway opening.
2. "d" denotes required Right-of-Way width of proposed utility line.

GENERAL PERMIT:

B.D.W.M. GP-5

APPLICANT/CLIENT _____

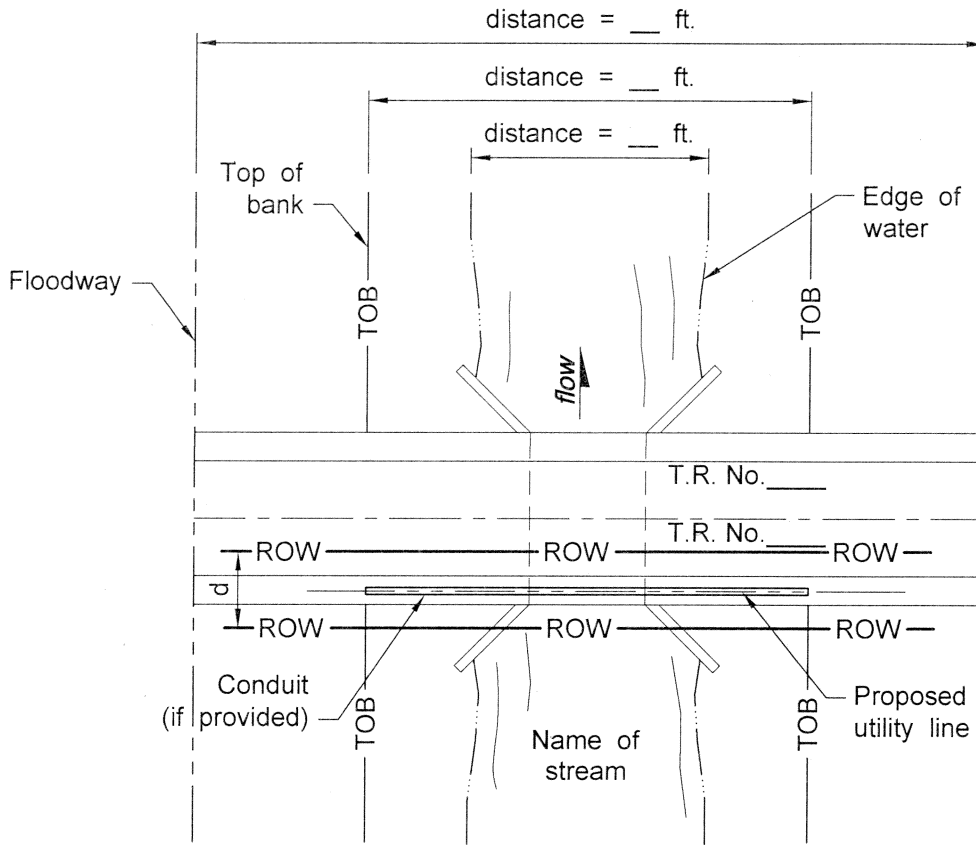
UTILITY LINE STREAM CROSSING

MUNICIPALITY _____

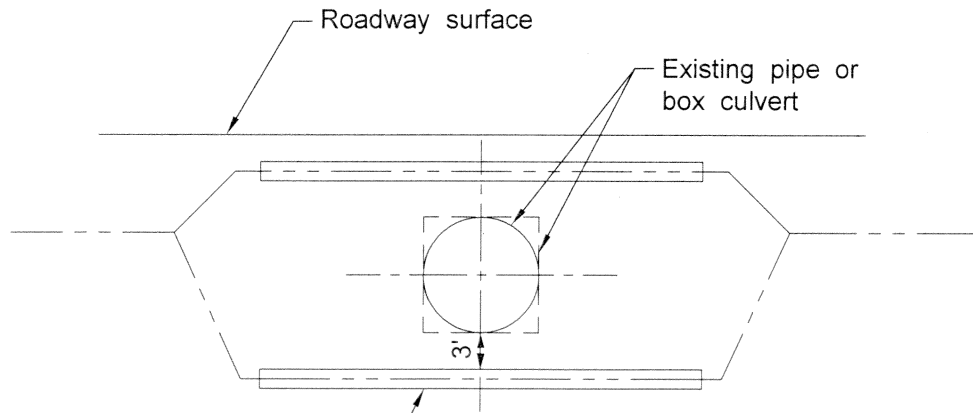
Dwg. No. 4

UNDER OR OVER EXISTING PIPE OR CULVERT

COUNTY _____



PLAN



Conduit / sleeve of concrete encasement
(Optional, above or below culvert)

ELEVATION

GENERAL NOTES:

1. Show if utility line is over or under pipe / box culvert.
2. "d" denotes required Right-of-Way width of proposed utility line.

GENERAL PERMIT:

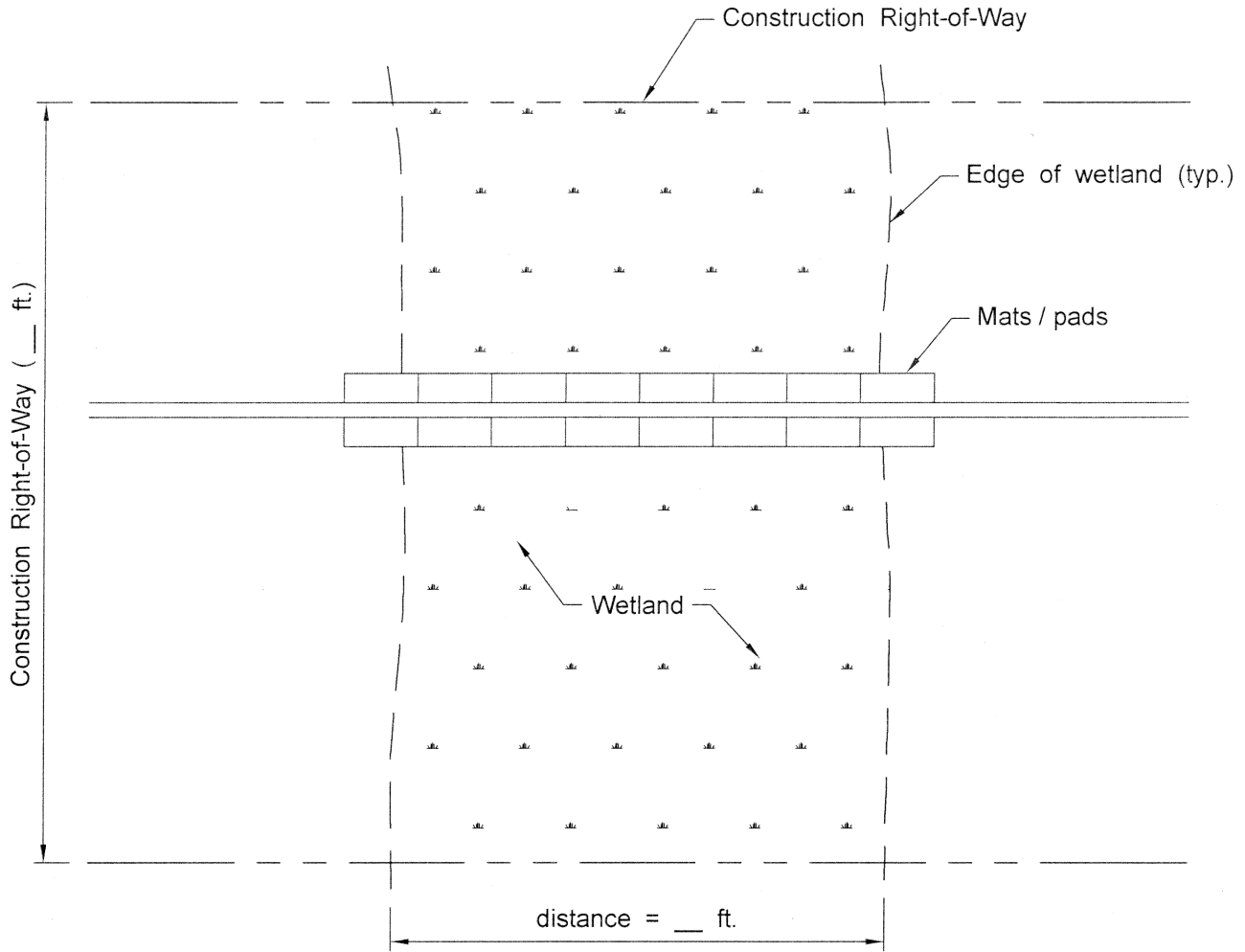
B.D.W.M. GP-5
TEMPORARY AERIAL
WETLAND CROSSING

APPLICANT/CLIENT _____

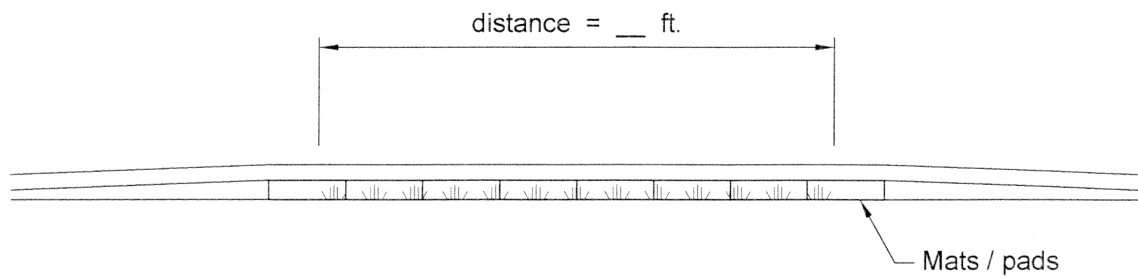
MUNICIPALITY _____

COUNTY _____

Dwg. No. 5



PLAN VIEW



ELEVATION

GENERAL PERMIT:

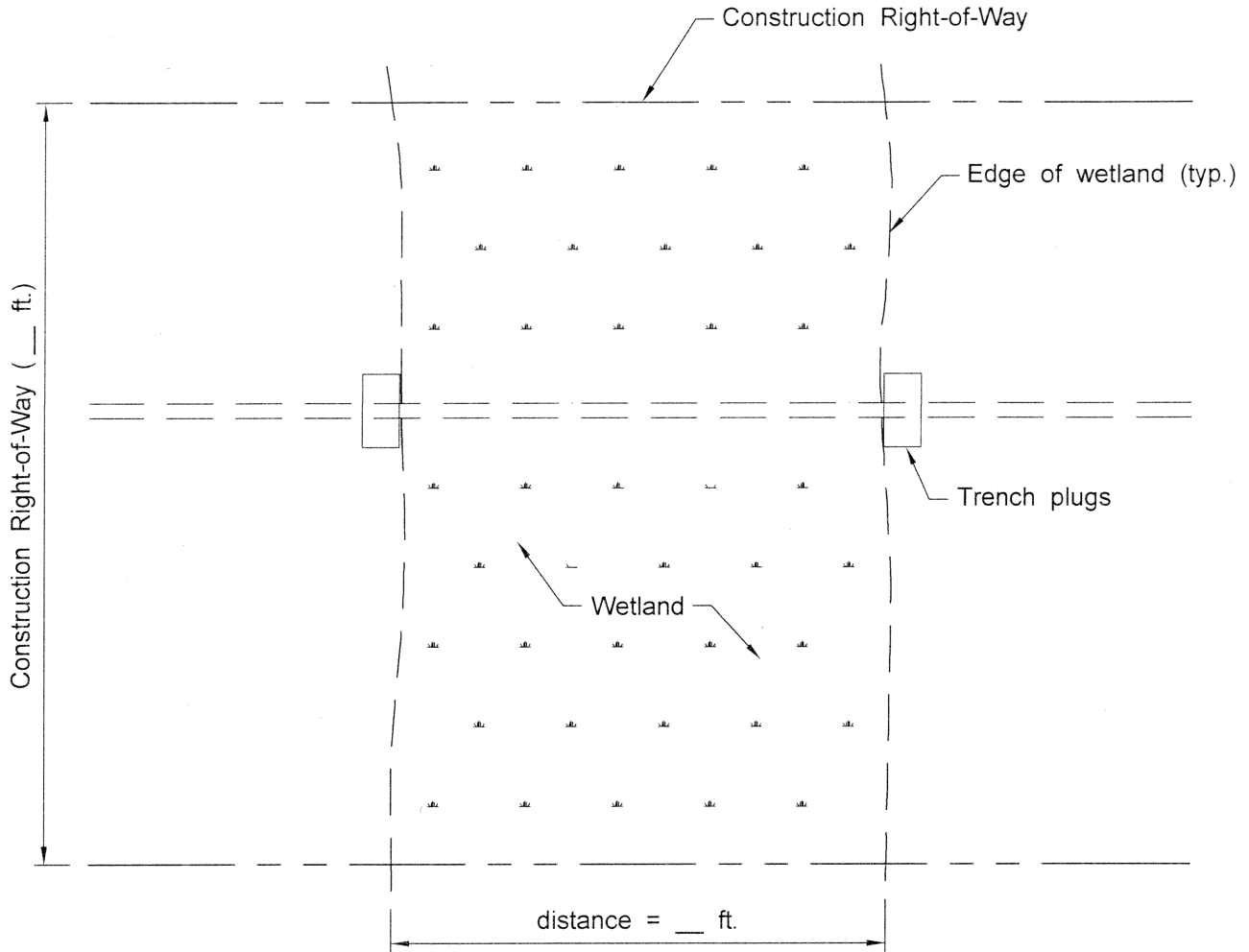
B.D.W.M. GP-5
TEMPORARY NON-AERIAL
WETLAND CROSSING

APPLICANT/CLIENT _____

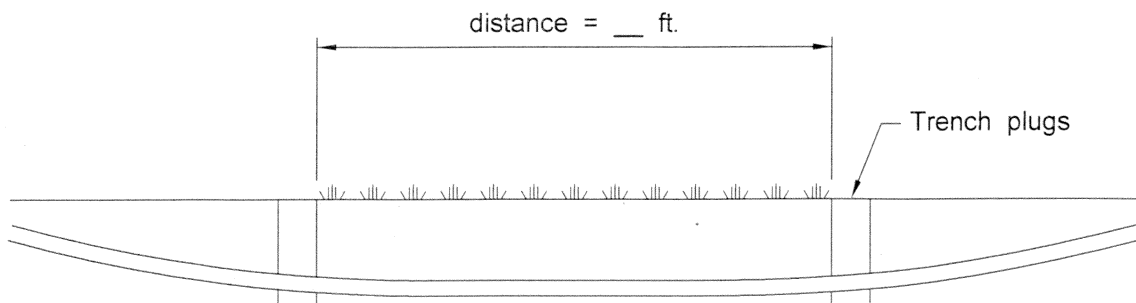
MUNICIPALITY _____

COUNTY _____

Dwg. No. 6



PLAN VIEW



SECTION A-A

GENERAL PERMIT:

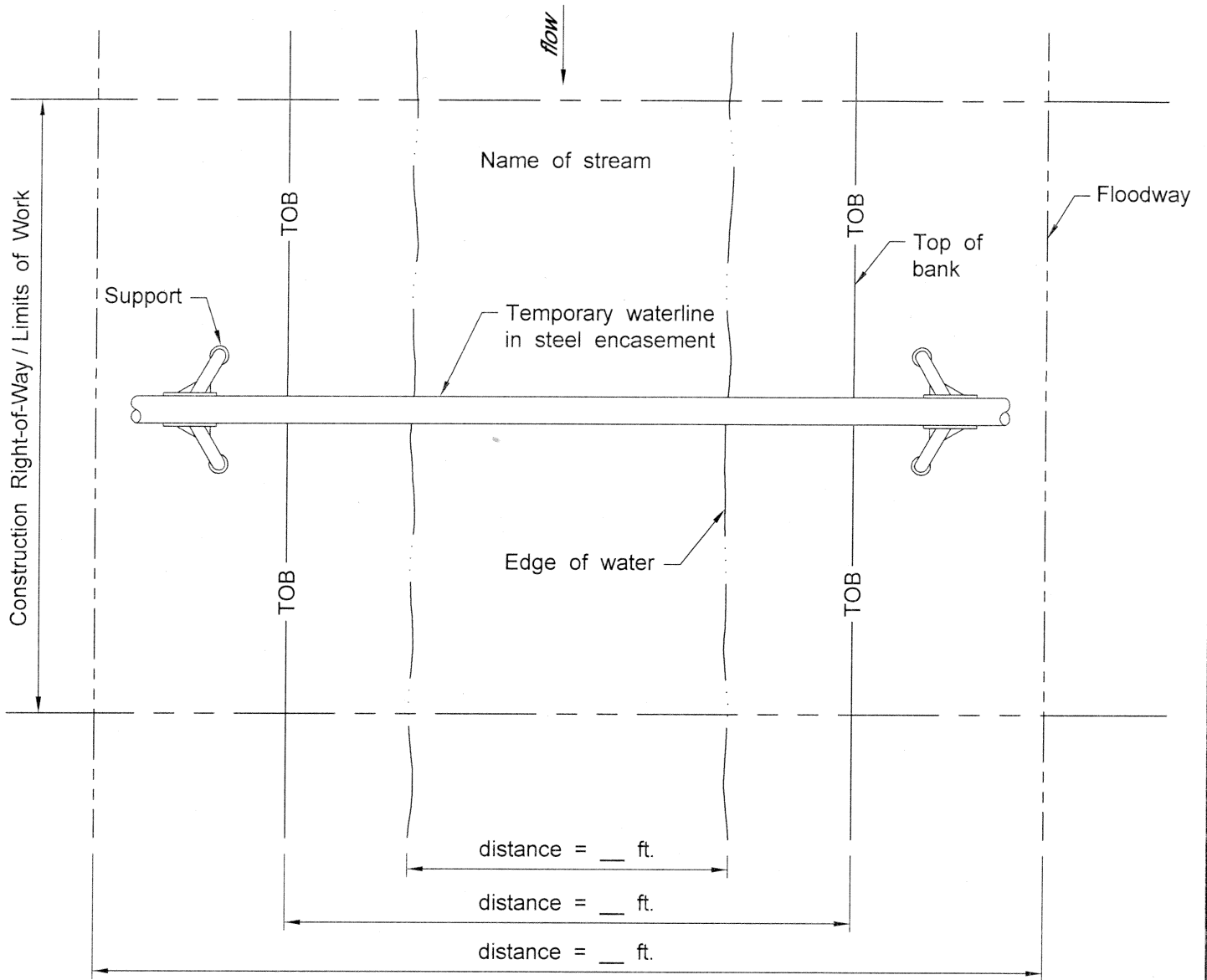
B.D.W.M. GP-5
TEMPORARY AERIAL
STREAM CROSSING

APPLICANT/CLIENT _____

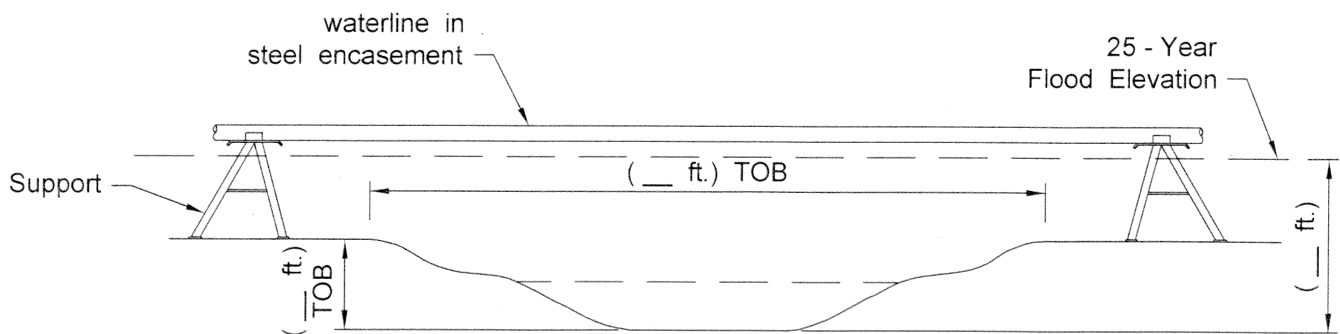
MUNICIPALITY _____

COUNTY _____

Dwg. No. 7



PLAN VIEW



SECTION VIEW



CHAPTER 105 WATER OBSTRUCTIONS AND ENCROACHMENT GENERAL PERMIT REGISTRATION

Please review the language of the General Permit(s) prior to completing the General Permit Registration to determine if the project is eligible for use of the General Permit and meets the terms and conditions of the permit(s).

Please provide **ONE (1) ORIGINAL** and **ONE (1) COPY** of the Registration package. An additional copy is required to be available at the project site during construction along with the GP terms and conditions Municipality & County Notification.

Please provide a copy of the Registration form to the Municipality & County in which the work will be performed. Proof of receipt is not required to be provided to DEP.

SECTION A. APPLICANT INFORMATION:

Activity Subject to Federal Energy Regulatory Commission (FERC) approval: Place an "X" in the box next to "Activity Subject to FERC approval" and/or Oil & Gas Exploration, Production, Storage or Transmission if the activity is regulated by FERC and provide the FERC docket number.

Place an "X" in the box next to "FERC Natural Gas Act Facility" if the activity is also regulated under the Federal Natural Gas Act.

Please fill in the requested information about the applicant (the owner) as accurately as possible. If the property of the project site is privately owned, please list all owners. If owned by a partnership, please list all members. If owned by a corporation, a political subdivision, or a Commonwealth department, board, commission, receiver, trustee or authority, please list the name of the entity. **See SECTION F. CERTIFICATION (page 8) for clarification of applicant signature.**

Please be sure to include DEP Client Identification Number (if known) and Employer Identification Number (EIN), as well as select or write in the proper Client Type and Code (listed below). This information is important to DEP's data tracking system. Please leave blank if the information is unknown or there is a question regarding the proper answer or information. Please note **SECTION A. APPLICANT INFORMATION:**

<u>Government</u>		<u>Non-Government</u>		<u>Individual</u>	
AUTH	Authority	ASSOR	Association/Organization	ASSOR	Association/Organization
CNTY	County	NPACO	Non-Pennsylvania Corporation	LLC	Limited Liability Company
FED	Federal Agency	PACOR	Pennsylvania Corporation	LLP	Limited Liability Partnership
MUNI	Municipality	PARTG	Partnership-General	NPACO	Non-Pennsylvania Corporation
SCHDI	School District	PARTL	Partnership-Limited	OTHER	Other (Non-Govt)
STATE	State Agency	OTHER	Other (Non-government)	PACOR	Pennsylvania Corporation
OTHG	Other (Government)	SOLEP	Sole Proprietorship	PARTG	Partnership-General
NONPG	Non-Pennsylvania Government	LLP	Limited Liability Partnership	PARTL	Partnership-Limited
		LLC	Limited Liability Company	SOLEP	Sole Proprietorship
		ESTST	Estate/Trust		

Business entities desiring to do business within the Commonwealth of Pennsylvania must register with the Pennsylvania Department of State. This requirement includes foreign filing associations such as; corporations for profit, corporations not-for-profit, limited partnerships, limited liability companies, professional associations and business or statutory trusts, which were not created or formed under the laws of Pennsylvania. ***This requirement does not apply to Individuals.***

To register with the Commonwealth, please visit Pennsylvania Department of State, Bureau of Corporations and Charitable Organization registration website at www.dos.pa.gov/BusinessCharities/Pages/default.aspx

SECTION B. CONSULTANT INFORMATION:

If there is a consultant involved in the project, please fill in the requested information about the consultant as accurately as possible. Please be sure to include Employer Identification Number (EIN). If there is no consultant, please place an "X" in the box next to "N/A".

SECTION C. PROJECT INFORMATION:

Please fill in the requested information to identify the project.

Please be sure to include DEP Site Identification Number (if known), as well as select or write in the proper Site-to-Client Relationship and Code (listed below). Please leave blank if the information is unknown or there is a question regarding the proper answer or information. Please note however, that leaving out information may result in delays or denial of the authorization to use the GP.

AGENT Agent for Owner or Operator	LESSE Lessee	OPR Operator	OTHER Other
CONTR Contractor for Owner or Operator	LESOP Lessee/Operator	OWN Owner	GEN Generator
		OWNOP Owner/Operator	PROWN Property Owner

The applicant will provide the latitude and longitude coordinates for each proposed impact as required in Section E. The coordinates should be in decimal degrees. It is important to identify the method used to determine the latitude and longitude. Check the appropriate box matching the collection method used. Also check the appropriate box matching the Horizontal Reference Datum (or projection datum) employed in the latitude and longitude collection process. Identify the date of collection (mm/dd/yyyy) if latitude and longitude coordinates were collected via GPS, WAAS and LORAN.

Description of collection methods:

- EMAP:** Method based on eMAP Pa program. www.depgis.state.pa.us/emappa.
- HGIS:** Method based on the Pennsylvania Natural Heritage Program database (formerly known as PNDI). The database is located at www.dcnr.pa.gov/Conservation/Biodiversity/PennsylvaniaNaturalHeritageProgram.
Note: This method may be preferable since all GP registrations require a PNDI search be conducted.
- GISDR:** Method based on the use of GIS and Digital Raster Graphic 1:24,000 scale USGS 7.5 minute quadrangle maps.
- ITPMP:** Method based on map interpolation of USGS 7.5 minute quadrangle maps.
- GPS:** Global Positioning method with unspecified parameters.
- WAAS:** Method base on GPS WAAS differentially correct.
- LORAN:** Method based on Loran C.

Types of Horizontal Reference Datum (or projection datum):

- NAD27:** North American Datum of 1927
- NAD83:** North American Datum of 1983
- WGS84:** World Geodetic System of 1984 (GEO84)

SECTION D. REGISTRATION CHECKLIST AND REQUIREMENTS

After determining that the project is eligible for use and meets the terms and conditions of the General Permit (GP) intended to be registered, the following instructions are useful to properly complete the GP Registration (Registration) process. A properly completed Registration, done in blue or black ink, allows for a more efficient and timely review. Marking "N/A" indicates that a requirement is non-applicable to the project.

If the project is located in a county where the Conservation District (District) has been delegated responsibility under the Chapter 105 program, the Registration form and other associated documents (Registration package) must be sent to the District (except GP-10, GP-11, GP-15 or a GP for oil and gas related activities). If the District is not delegated or the applicant intends to register a GP-10, GP-11, GP-15 or a GP for oil and gas related activities, the Registration package must be sent to the appropriate Department of Environmental Protection (DEP) Regional Office. Contact Information for District and DEP Regional Offices can be found on GP Registration [Exhibit B \(3150-PM-BWEW0500B\)](#) and [Exhibit C \(3150-PM-BWEW0500C\)](#) and on DEP's eLibrary at www.depgreenport.state.pa.us/elibrary/.

Please provide **ONE (1) ORIGINAL** and **ONE (1) COPY** of the Registration package. Please provide a copy of the Registration form to the Municipality & County in which the work will be performed. Proof of receipt is not required to be provided to DEP. An additional copy is required to be available at the project site during construction along with the GP terms and conditions. Prepare the Registration package for submission beginning with the Registration form, followed by the required attachments in the order they are requested. Not all attachments will be required in all situations for all projects. This standardized format will assist the permit reviewer to process the Registration package more efficiently. **The Registration package should be assembled and provided in the following order 1-9.** Upon review by the District or DEP Regional Office, if the project is determined to not meet the terms and conditions of the GP or the Registration package is incomplete, the applicant will be contacted appropriately.

REGISTERING A GENERAL PERMIT (GP)

- **PLEASE MARK (“X”) CHECK ALL THAT APPLY:** Place an “X” in the box next to the GP(s) the applicant intends to register. Mark all GPs that apply to the project.
 - o Reference Chapter 105 Fee Calculation Worksheet (3150-PM-BWEW0553) with questions regarding fees. Checks should be made payable to the “**Commonwealth of Pennsylvania Clean Water Fund**” or “**_____ Conservation District Clean Water Fund**”, whichever is the reviewing entity. Fee information should also be indicated on the Aquatic Resource Impact Table in Section E.

Please place an “X” next to each item (1-9) to ensure it is completed and/or provided. Unless otherwise specified, all items are required to ensure **a complete Registration package**. Please carefully read the terms and conditions of the GP(s) the applicant intends to register, as additional actions may be required outside of the registration and acknowledgement process prior to construction. Please retain the GP(s) terms and conditions to be available at the project site during construction.

Please provide **ONE (1) ORIGINAL** and **ONE (1) COPY** of the Registration package; **retain an additional copy** to be available at all times on the project site during construction. Prepare the Registration package for submission beginning with the Registration form and follow by the required attachments in the order they are requested.

1. Registering a General Permit (GP)

Check all GP’s that apply. In GP-11 and GP-15 be sure to note whether it is a temporary or permanent disturbance.

2. Location Map with project site marked:

The location map shall be 1:24000 scale 8 ½” x 11” photocopy of the appropriate portion of the U.S.G.S. Quadrangle Map with the project site marked. The Location Map may be a GIS generated map containing the required items with the project site marked.

3. Color Photographs with dates and descriptions:

Please provide color photographs of the project site area including dates and descriptions. The photos, dates and descriptions should be provided on an 8 ½” x 11” piece of paper.

Color photographs are only required for GP-3 and GP-11. Please see those permit conditions for additional details.

4. Project Description

Briefly describe the project, including proposed impacts to waters and/or wetlands. The Project Description may be provided on a separate sheet and included in the appropriate location as part of the Registration package.

Please prepare and provide a detailed chart of each proposed impact to an aquatic resource (watercourse, floodway and/or wetlands) as it pertains to the project’s activities per the instructions provided in Section E. Include a unique identifier (i.e. **GP-5-1**) which will be used in all related items. The [Aquatic Resource Impact Table \(3150-PM-BWEW0557\)](#) worksheet or equivalent which provides all of the details requested must be attached as part of the Registration package.

5. Site Specific Drawing(s) depicting the project’s site specific activities (or Standard Drawing):

Please provide a unique site specific drawing for the project and the GP being registered. Standard Drawings (included in the GPs) may be properly completed and provided when appropriate to the project and the GP being registered, but are not required.

If registering multiple GPs at one time, or the project has several locations, please include all applicable Site Specific and/or Standard Drawings for each GP and location. Please label each drawing with the unique identifier created for the Aquatic Resource Impact Table.

6. Proposed Project Purpose depicting the site of the project’s General Permit activities:

Please prepare and provide a detailed overall Site Plan detailing the projects purpose as it pertains to the project’s activities per the instructions provided in Section E. If registering multiple GPs at one time, or the project has several locations, please mark all Standard Drawing locations on the Site Plan. A Site Plan may consist of required items placed on or provided by a USGS Quadrangle map, aerial map, etc. If required information cannot be included on the Site Plan, it may be attached as part of the Registration package. For example, a FEMA map may be provided instead of including the 100 year flood elevation.

7. Erosion & Sediment Control Plan (E&S Plan) specific to the activity conducted under this permit:

Work must be done in compliance with Chapter 102 of the Department’s Rules and Regulations (relating to Erosion Control). Prior to construction, the applicant must provide an E&S Plan to be reviewed and deemed appropriate by the appropriate DEP Regional Office or delegated District in which the activities are proposed. The E&S Plan shall be

implemented prior to, during and after construction. The E&S Plan is not a requirement for Registration of a GP (except GP-11 or GPs for oil and gas related activities), and does not need to be included in the Registration package. If the applicant intends to register a GP-11 or a GP for oil and gas related activities an E&S Plan must be provided to be reviewed and deemed appropriate by the appropriate DEP Regional Office and shall be implemented prior to, during and after construction. The project site shall at all times be available for inspection by authorized employees of DEP or the delegated District. The E&S Plan shall be available at all times on the project site during construction.

Guidance for preparing an E & S Plan, as well as BMP specifications that meet DEP requirements, can be found in the Department's [Erosion and Sediment Control Program Manual \(363-2134-008\)](#).

8. Pennsylvania Natural Diversity Inventory (PNDI):

Coordination with the Pennsylvania Natural Heritage Program (PNHP) regarding the presence of Federal threatened and endangered (T&E) species and State T&E species and species of special concern on the project site is a regulatory requirement for this permit application/registration. Early coordination (prior to submission) with the appropriate jurisdictional agencies using the PA Conservation Explorer, previously known as the Pennsylvania Natural Diversity Inventory (PNDI) Environmental Review Tool (PNDI ER Tool), is the most effective means of obtaining timely permit decisions. To provide proof of coordination with PNHP and PNDI, applicants must submit a PNDI Receipt as part of the permit application/registration.

Please check the appropriate box indicating the information provided:

- PNDI reviews can still be obtained free-of-charge for users without access to a computer using the standard process of requesting a project review directly from each jurisdictional agency—PA Department of Conservation and Natural Resources (DCNR), PA Game Commission (PGC), PA Fish and Boat Commission (PFBC) and the U.S. Fish and Wildlife Service (US FWS) instead of generating a PNDI Receipt instantly through the PA Conservation Explorer. The standard PNDI review process user is responsible for securing PNDI Receipts from each jurisdictional agency—DCNR, PGC, PFBC and the U.S. FWS.
 - o PNDI Receipts from each jurisdictional agency will be included with the application/registration package. The PNDI review is not complete or satisfied unless PNDI Receipts are included from all four jurisdictional agencies listed above. Applicants are encouraged to use the PA Conservation Explorer because using this tool is the most effective means of a timely permit decision.
- If the review determines there are potential impacts to a T&E species, the PNDI Receipt will provide an explanation of the potential impact(s) and instructions on how to resolve the potential impact(s). **READ AND FOLLOW THESE INSTRUCTIONS CAREFULLY.** Following the procedure outlined by the Department of Environmental Protection (DEP) in the Policy for Pennsylvania Natural Diversity Inventory (PNDI) Coordination During Permit Review and Evaluation, No. 021-0200-001 (PNDI Policy) will allow applicants to meet regulatory requirements.

There are two options available to applicants for handling PNDI coordination in conjunction with DEP's Permit Review Process: sequential review and concurrent review.

Sequential Review:

- The applicant runs the PNDI search and completes all coordination with the appropriate jurisdictional agencies, prior to submitting the permit application/registration. The applicant will include with the application/registration a PNDI Receipt, and clearance letter(s) from the jurisdictional agency(ies) if the PNDI Receipt shows a Potential Impact.
- If selecting sequential review, different items are required to be included as part of the permit application/registration based on the search results:
 - o If the PNDI Receipt shows "No Known Impacts", please provide a copy of the signed PNDI Receipt as part of the Registration package.
 - o If the PNDI Receipt contains "Avoidance Measures", the PNDI review is not complete or satisfied unless the applicant has signed where required on the PNDI Receipt, indicating he/she can and will fulfill the Avoidance Measure(s) for that project. DEP recommends including Avoidance Measures in the Project Description. Please provide a copy of the PNDI Receipt signed as explained above and in the certification section as part of the Registration package.
 - o If the applicant cannot or chooses not to meet the Avoidance Measure(s), he/she must follow the same process for PNDI Receipts showing "Potential Impact", outlined below.

- o If the PNDI Receipt shows "Potential Impacts", DEP and the jurisdictional agencies require that the applicant provide additional information outlined in the PNDI Receipt, to the agencies noted on the Receipt for further review. Please provide a copy of the signed PNDI Receipt showing "Potential Impacts" AND the additional information outlined on the PNDI Receipt along with proof of delivery to the appropriate jurisdictional agency(ies) where further coordination is required. If this coordination is not complete prior to submitting the permit application/registration package; the application/registration will be subject to the concurrent review process as outlined below Concurrent Review:
- The applicant runs the PNDI search and will engage in consultation with the applicable jurisdictional agency(ies). DEP will allow technical review of the permit to occur concurrently with the T&E species and State species of special concern consultation with the jurisdictional agency(ies).
- If selecting a concurrent review, the applicant will include with the permit application/registration a signed PNDI Receipt processed through the PA Conservation Explorer OR PNDI receipts from each jurisdictional agency if the standard process of requesting a project review was used.
 - o It is important to note, however, that the concurrent review option carries certain risks and consequences to the applicant, including:
 - The permit may not be issued/acknowledged until each potential impact is resolved. See DEP's [Permit Review Process and Permit Decision Guarantee Policy, Document No. 021-2100-001](#) (PRP/PDG Policy).
 - The proposed activity subject to the permit application/registration may need to be redesigned as a result of the PNDI consultation ([PNDI Policy](#) pages 7-8). *Note: Any substantive project or design changes to the application will require a new application and fee to be submitted.*

9. Activities which impact wetlands (temporary and/or permanent):

For activities which will impact wetlands (temporary and/or permanent), the following are required to be provided as part of the Registration package:

- A wetland delineation with complete data sheets in accordance with the 1987 Corps of Engineers Wetland Delineation Manual AND the appropriate Regional Supplements to the Corps of Engineers Wetland Delineation Manual for use in Pennsylvania.
- If permanent direct or indirect wetland impacts are greater than 0.05 acres and require compensatory mitigation or an applicant offers compensatory mitigation to address potential anti-degradation concerns, include a wetland replacement, restoration or enhancement plan in accordance with the Department's Replacement criteria which provides a minimum one to one (1:1) wetland replacement ratio for both affected acreage and affected functions and values.
- If compensatory mitigation (for permanent direct or indirect wetland impacts) onsite is not feasible: A check payable to the National Fish and Wildlife Foundation, N.A. 1237, may be provided in accordance with the fee schedule below as compensatory mitigation for impacts in wetlands, in accordance with the Pennsylvania Wetland Replacement Project.

Fee Schedule:

Deminimus impact ≤ .05 acre	\$ 0.00	> .20 acre to .30 acre -	\$2,500.00
> .05 acre to .10 acre -	\$ 500.00	> .30 acre to .40 acre -	\$5,000.00
> .10 acre to .20 acre -	\$1,000.00	> .40 acre to .50 acre -	\$7,500.00

Applicant's Name / Client _____

FOR PENNSYLVANIA CHAPTER 105 WATER OBSTRUCTION AND ENCROACHMENT APPLICATION/REGISTRATION APPLICATION

Please begin to complete the Aquatic Resource Impact Table by including the Applicant's Name / Client (upper right of the page) for each page. Also, complete the Project / Site Name (upper left of the table) and the date of application/registration package submission (upper right of the table, under Applicant's Name / Client). Then complete one row of data for each regulated (PA DEP Chapter 105) structure or activity and type of impact for the proposed project based on the instructions for each column below; add additional worksheets if needed. Provide completed Aquatic Resource Impact Table with Chapter 105 Water Obstruction and Encroachment application/registration. DO NOT submit instructions (page 1) for this table.

DEP Permit Number: _____ leave blank, it will be completed by DEP upon permit acknowledgment/issuance/verification.
 Single Complete Crossing No.: _____ leave blank, it will be completed by DEP upon permit acknowledgment/issuance/verification.
 Crossing Number: _____ leave blank, it will be completed by DEP upon permit acknowledgment/issuance/verification.

Fees use the Chapter 105 Fee Calculation Worksheet 3150-PM-BWEW0553 to determine applicable fee(s), if needed.

Project Information provide the appropriate information based on the details on each impact for the project
 Structure / Activity Identifier: provide a unique identifier for each regulated structure and/or activity being proposed, typically a name and number; this same unique identifier should be used in all aspect of the permit registration/application package. (i.e. GP-5-1, GP-5-2)

Aquatic Resource Type provide the type of aquatic resource (based on watercourse, floodway or wetland) being impacted:
 Watercourse: provide the type of watercourse being impacted: perennial or intermittent stream
 Floodway: provide the type of floodway being impacted: crossing or paralleling to the stream
 Wetland: provide the type of wetland being impacted: PEM, PSS, PFO or POW wetland

Latitude (nada83): provide the latitude of the aquatic resource impact in decimal degrees
 Longitude (nada83): provide the longitude of the aquatic resource impact in decimal degrees
 Waters Name: provide the name of the stream or other body of water (if available)
 PA Code Chapter 93 Designation: provide the Chapter 93 designation for the aquatic resource (i.e. HO-CWF, WWF, EY, MF)

PA DEP Chapter 105 Impacts provide the appropriate information based on the details on each impact for the project
 Work Proposed: provide the type of work proposed to impact the resource: aerial utility line, horizontal drilling/boring, trench excavation or placement of fill
 PA DEP Impact Type: provide the type of aquatic resource impact: temporary or permanent.
 Watercourse Impact: provide the length and width in feet of impact. Indicate "r/a" if impact is to a wetland.
 Floodway Impact: provide the length and width in feet of direct and indirect/secondary 100-year floodway impact. Indicate "r/a" if impact is to a wetland.
 Wetland Impact: provide the length and width in feet of impact to wetlands; indicate "r/a" if impact is to a watercourse.

Project / Site Name: Example Project		Project Information		Date: 2018		PA DEP / 105								
PA DEP Permit Number	Single Complete Crossing No.	Crossing Number	Fee	Structure / Activity unique Identifier	Aquatic Resource Type	Latitude dd nada83	Longitude dd nada83	Waters Name	PA Code Chapter 93 Designation	Work Proposed	DEP Impact Type / temp / perm	Watercourse Impact Top of Bank to Top of Bank Length and Width in feet	Floodway Impact Top of Bank Landward Length and Width in feet	Wetland Impact Length and Width in feet
			250	GP-5-1	Perennial	417710531	77152930	Dunn Creek	CWF	Excavation	Temp	50 - 30	N/A	N/A
			N/A	GP-5-1	Perennial	417710531	77152930		CWF	Excavation	Temp	N/A	100 - 30	N/A
			250	GP-5-2	PEM	417710618	77152945			Excavation	Temp	N/A	N/A	10 - 30
			350	GP-7-1	Perennial	417710618	77152945	Dunn Creek	CWF	Excavation	Perm	20 - 30	100 - 30	

NOTE: Form 3150-PM-BWEW0557 or equivalent must be printed/submitted for this General Permit Registration or Joint Permit Application.

FOR PENNSYLVANIA CHAPTER 105 WATER OBSTRUCTION AND ENCROACHMENT APPLICATION / REGISTRATION

Applicant's Name / Client _____

Project / Site Name:		Date:												
DEP USE ONLY				Project Information							PADEP / 105			
PADEP Permit Number	Single Complete Crossing No.	Crossing Number	Fee	Structure / Activity unique identifier	Aquatic Resource Type	Latitude dd mdd83	Longitude dd mdd83	Water's Name	PA Code Chapter 93 Designation	Work Proposed	DEP Impact Type / perm	Watercourse Impact Top of Bank to Top of Bank Length and Width in feet	Floodway Impact Top of Bank Landward Length and Width in feet	Wetland Impact Dimension Length and Width in feet

PADEP Impact Type: temporary or permanent.

Permanent Impacts are those areas affected by a water obstruction or encroachment that consist of both direct and indirect impacts that result from the placement or construction of a water obstruction or encroachment and include areas necessary for the operation and maintenance of the water obstruction or encroachment located in, along or across, or projecting into a watercourse, floodway or body of water.

Temporary Impacts are those areas affected during the construction of a water obstruction or encroachment that consists of both direct and indirect impacts located in, along or across, or projecting into a watercourse, floodway or body of water that are restored upon completion of construction. This does not include areas that will be maintained as a result of the operation and maintenance of the water obstruction or encroachment located in, along or across, or projecting into a watercourse, floodway or body of water (these are considered permanent impacts).

SECTION F. CERTIFICATION

Please sign, indicate title and date in the appropriate locations. The Registration package will not be accepted unless the original form and copy are signed and dated by the applicant/owner. **See SECTION A. APPLICANT INFORMATION.**

Clarification on applicant/owner signature:

Individual – The Registration form must be signed by all owners listed within the deed of the property or lease/rental agreement with their original signatures. *For Individual(s), no indication of title is necessary.*

Corporations – The Registration form must be signed by the President or Vice President, Attested by the Secretary (Assistant Secretary) or Treasurer (Assistant Treasurer).

If others are signing on behalf of the corporation, a document evidencing delegation of contracting authority must be provided. Acceptance of the delegated documentation is at the sole discretion of DEP. Absent satisfactory documentation of signatory authority, only the above officers will be accepted as appropriate signatories.

Government agencies – The Registration form must be signed by the Chief Officer or the President/Vice President of the government agency, if incorporated. Chief Clerk, Secretary or Treasurer Signature is required to witness or attest.

Partnerships – The Registration form must be signed by either one general partner to bind the partnership or all partners must sign. For Limited Partnerships (LP), where each individual is a general partner, any general partner may sign. If a corporation is a general partner, the signage must 1) indicate the name of the corporation, 2) that it is a general partner, and 3) the signature of the President or Vice President *and* the signature of the Secretary or Treasurer.

If others are signing on behalf of the Limited Partnership, a document evidencing delegation of contracting authority must be provided. Acceptance of the delegated documentation is at the sole discretion of DEP. Absent satisfactory documentation of signatory authority, only the above officers will be accepted as appropriate signatories.

Limited Liability Companies – The Registration form must be signed by a member for a Limited Liability Company (LLC), where it is member managed; where it is manager managed, a manager must sign. Please indicate whether the person is signing as a “Member” or as a “Manager” of the LLC, according to the Company’s Limited Liability Company Operating Agreement.

If anyone other than a “Member” or “Manager” are signing on behalf of the LLC, documentation of authority to sign on behalf of the LLC must be provided.

This GP shall not be authorized until the E&S Plan has been reviewed by the appropriate DEP Regional Office or District, Federal Authorization has been obtained and, where required, an SLLA has been obtained from DEP.

The acknowledged Registration form, the GP(s) terms and conditions, required Federal authorization(s), and the E&S Plan must be maintained and available at the project site during construction. Please remember the authorization is subject to all terms and conditions listed in the GP(s).

SECTION G. DECISION / DISPOSITION

Upon review of this Registration package, the applicant will receive a signed copy GP Registration form. The disposition status will indicate if the GP registration is acknowledging use of the GP(s), the GP registration has been withdrawn or if the GP registration is incomplete requiring additional information. Incomplete submissions will have 60 calendar days to submit information or the registration will be considered withdrawn. **Fees are not refundable.** Work on the project may NOT begin until federal authorization is obtained, if required. If the acknowledged use of this general permit does not have Federal authorization for this project attached, in accordance with procedures established with the U.S. Army Corps of Engineers, you will be contacted directly by the Corps regarding Federal Authorization.

NOTE: If the GP registration information is incomplete a copy of this registration form and requested additional information will be sent to the applicant. A copy of the returned registration form and additional information must be re-submitted within 60 calendar days unless extended by the extension date listed above.

THE FOLLOWING ITEMS ARE USEFUL IN IDENTIFYING RESOURCES:

- **Historic Places:** The Pennsylvania Historic and Museum Commission, Bureau for Historic Preservation manages the National Register of Historic Places for Pennsylvania. Access to these paper records is free and open to the public by appointment at the office in Harrisburg (see [Exhibit A - 3150-PM-BWEW0500A](#)).

Access to some of these data is available on the Cultural Resources Geographic Information System (CRGIS) at www.phmc.pa.gov/Preservation/Cultural-Resources-GIS/.

- **National Natural Landmarks:** Additional information on National Natural Landmarks and the National Registry of Natural Landmarks is available at www.nature.nps.gov/nnl/.
- **Exceptional Value and High Quality Waters (including Exceptional Value Wetlands):** Additional information on Exceptional Value (EV) and High Quality (HQ) waters can be found on DEP's website at [Statewide Existing Use Classifications](#) and [25 Pa. Code Chapter 93](#).
25 Pa. Code Chapter 93 also provides an important linkage to Exceptional Value Wetlands which are determined in [25 Pa. Code Chapter 105.17](#).
- **Threatened and Endangered Species:** (see also Section E, Items 13 & 14 for requirements and documentation): Additional information on the Pennsylvania Natural Heritage Program (PNHP) regarding the presence of Federal threatened and endangered (T&E) species and State T&E species and species of special concern on the project site and the PA Conservation Explorer, previously known as the Pennsylvania Natural Diversity Inventory (PNDI) Environmental Review Tool (PNDI ER Tool) can be accessed at www.naturalheritage.state.pa.us/Species.aspx.
First time users will have to register at the website before conducting the review. Upon completion of the review, a PNDI Receipt, valid for a period of two years from the date the search was conducted, is automatically available for printing.
- **Wild and Stocked Trout Waters:** Additional information on Wild and Stocked Trout Waters can be found at <http://www.fishandboat.com/fish/pennsylvaniafishes/trout/>.
- **Wild or Scenic Rivers:** Additional information on National or State Wild or Scenic rivers can be found at www.rivers.gov/pennsylvania.php and www.dcnr.pa.gov/Conservation/Water/RiversConservation/.
- **Wetlands:** (see also Section E, Item 15 for requirements and documentation): Additional information on the 1987 Corps of Engineers Wetlands Delineation Manual and the appropriate Regional Supplements to the Corps of Engineers Wetland Delineation Manual for use in Pennsylvania can be found at www.usace.army.mil/missions/civilworks/regulatoryprogramandpermits/reg_supp.aspx.
- **Additional Information:** Additional Information on resource identification (including agency contact information) can be found on GP Registration [Exhibit A - 3150-PM-BWEW0500A](#) and [Exhibit B \(3150-PM-BWEW0500B\)](#); on DEP's website at www.dep.pa.gov; and on DEP's eLibrary at www.depgreenport.state.pa.us/elibrary/.

CHAPTER 105 WATER OBSTRUCTIONS AND ENCROACHMENT GENERAL PERMIT REGISTRATION

SECTION A. APPLICANT INFORMATION

<input type="checkbox"/> FERC Natural Gas Activity Docket Number _____ Type of Facility _____ Has a Water Quality Certification (WQC) request been sent to DEP? <input type="checkbox"/> Yes <input type="checkbox"/> No <input type="checkbox"/> Activity Subject to FERC approval and/or Oil & Gas Exploration, Production, Storage or Transmission if the activity is regulated by FERC and provide the FERC docket number.	
---	--

Applicant's Name / Client	DEP Client ID# (if known)	Employer ID# (EIN)
Client Information - Please select Client Type / Code from drop down box under the correct entity shown below. (or may be written in) ↓		

Government	Non-Government	Individual

Mailing Address	City	State	ZIP + 4
Contact Person – Last Name First MI Suffix ()	Telephone ()	Email Address	

SECTION B. CONSULTANT INFORMATION (If applicable) N/A

Contact Person – Last Name First MI Suffix	Consultants Title	Consulting Firm	
Mailing Address ()	City ()	State ()	ZIP + 4 ()
Telephone ()	Fax ()	Email ()	Employer ID# (EIN) ()

SECTION C. PROJECT INFORMATION

Project / Site Name	DEP Site ID# (if known or leave blank)
Client Relationship - Please select Site-to-Client Relationship / Code from drop down box to the right. (or may be written in) →	Double-click on shaded area below to select correct Site-to-Client Relationship / Code ↓

County	Municipality <input type="checkbox"/> City <input type="checkbox"/> Borough <input type="checkbox"/> Township	Note: Municipal & County Notification is Required	
Site Location / Address ()	City ()	State ()	ZIP + 4 ()

Collection Method: EMAP HGIS GISDR* ITPMP GPS WAAS LORAN
 Check the horizontal reference datum (or projection datum) employed in the collection method.
 EMAP and HGIS (PNDI) have known datum and do not require checking here. NAD27 NAD83 WGS84 (GEO84)
 LAT.: _____ LONG.: _____

NOTE: A Submerged Lands License Agreement (SLLA) with an annual fee, if applicable, may also be required for your project. You will be notified if an SLLA is required.

The [Aquatic Resources Impact Table \(SECTION E. PROPOSED IMPACTS\)](#) must be completed or equivalent submitted for this registration to be complete.

SECTION D. REGISTRATION CHECKLIST AND REQUIREMENTS

Please place an "X" next to each item (1-9) to ensure it is completed and/or provided.

Unless otherwise specified, all items are **required** to ensure a complete Registration package.

****Provide ONE (1) ORIGINAL and ONE (1) COPY of the Registration package****

**Please provide a copy of the Registration form to the Municipality & County in which the work will be performed.
Proof of receipt is not required to be provided to DEP.**

1. REGISTERING A GENERAL PERMIT (GP) check all that apply

Federal, State, county or municipal agencies or municipal authorities:

EXEMPT from fees

<input type="checkbox"/> GP-1	Fish Habitat Enhancement Structures.....	Per Project	\$ 50	= \$ _____
<input type="checkbox"/> GP-2	Small Docks and Boat Launching Ramps	Per Dock / Ramp _____ (#) X	\$ 175	= \$ _____
<input type="checkbox"/> GP-3	Bank Rehabilitation, Bank Protection and Gravel Bar Removal.....	Per Project _____ (#) X	\$ 250	= \$ _____
<input type="checkbox"/> GP-4	Intake and Outfall Structures.....	Per Structure _____ (#) X	\$ 200	= \$ _____
<input type="checkbox"/> GP-5	Utility Line Stream Crossings	Per Individual Utility _____ (#) X _____ (#) X	\$ 250	= \$ _____
<input type="checkbox"/> GP-6	Agricultural Crossings and Ramps	Per Crossing / Ramp _____ (#) X	\$ 50	= \$ _____
<input type="checkbox"/> GP-7	Minor Road Crossings ²	Per Crossing _____ (#) X	\$ 350	= \$ _____
<input type="checkbox"/> GP-8	Temporary Road Crossings ²	Per Crossing _____ (#) X	\$ 175	= \$ _____
<input type="checkbox"/> GP-9	Agricultural Activities.....	Per Project	\$ 50	= \$ _____
<input type="checkbox"/> GP-10	Abandoned Mine Reclamation	Per Project	\$ 500	= \$ _____
<input type="checkbox"/> GP-11	Maintenance, Testing, Repair, Rehabilitation, or Replacement of Water Obstructions and Encroachments ¹		\$ 750	+
<input type="checkbox"/>	Temporary Disturbance (\$400/0.1ac).....	_____ acres x \$4,000 =	\$ _____	+
<input type="checkbox"/>	Permanent Disturbance (\$800/0.1ac).....	_____ acres x \$8,000 =	\$ _____	= \$ _____
<input type="checkbox"/> GP-15	Private Residential Construction in Wetlands ¹		\$ 750	+
<input type="checkbox"/>	Temporary Disturbance (\$400/0.1ac).....	_____ acres x \$4,000 =	\$ _____	+
<input type="checkbox"/>	Permanent Disturbance (\$800/0.1ac).....	_____ acres x \$8,000 =	\$ _____	= \$ _____

GP(s) FEE subtotal (b) \$ _____

	Applicant Entry	DEP Use Only
2. Location Map (USGS quad map) with project site marked:	<input type="checkbox"/>	<input type="checkbox"/>
3. Color Photographs with dates, locations, and descriptions: <input type="checkbox"/> GP-3 <input type="checkbox"/> GP-11 <input type="checkbox"/> N/A	<input type="checkbox"/>	<input type="checkbox"/>
4. Project Description: (Example: Linear pipeline project using multiple GP-5's and GP-8's; One GP-7 for an access road to my property) _____ _____ _____	<input type="checkbox"/>	<input type="checkbox"/>
5. Site Specific and/or Standard Drawings are (required for all) project's GP activities. For Activities that qualify for GP-7 or GP-11 Plans, specifications, and reports for bridges and culverts across a stream which are to be used by the general public such as an access to an industrial, commercial or residential development, etc., shall be prepared by a registered professional engineer and shall be affixed with their seal and certification which shall read as follows on the drawings: If the project includes a bridge or culvert replacement or the proposed work will change the waterway opening, please complete and provide the <u>Bridge and/or Culvert Replacement Projects or Projects That Change the Waterway Opening (3150-PM-BWEW0552B)</u> worksheet. If the project consists of similar work (replacement or change in waterway opening) on more than one structure, provide the data requested for each structure included in this Registration package. <i>"I (name) do hereby certify pursuant to the penalties of 18 Pa. C.S.A. Sec. 4904 to the best of my knowledge, information and belief, that the information contained in the accompanying plans, specifications, and reports has been prepared in accordance with accepted engineering practice, is true and correct, and is in conformance with Chapter 105 of the rules and regulations of the Department of Environmental Protection."</i>	<input type="checkbox"/>	<input type="checkbox"/>
6. Proposed Project Purpose depicting the site of the projects GP activities and impacts. Briefly discuss the need for the authorization.	<input type="checkbox"/>	<input type="checkbox"/>
7. Erosion & Sediment Control Plan (E&S Plan) (Required for all GP's but specifically required with submission with a registration of GP-11 or GP's for oil and gas related activities submitted to DEP.)	<input type="checkbox"/>	<input type="checkbox"/>
8. Pennsylvania Natural Diversity Inventory (PNDI): PNDI Search Receipt and clearance letters, if available. See additional requirements for submission with Avoidance Measures and/or Potential Impacts.	<input type="checkbox"/>	<input type="checkbox"/>
9. Activities which impact wetlands: (For State Regulated Impacts) Please place an "X" next to the appropriate box indicating the information provided: <ul style="list-style-type: none"> ➤ N/A because no wetland impacts are proposed or no compensatory mitigation is necessary. <input type="checkbox"/> ➤ A wetland delineation with complete data sheets in accordance with the 1987 Corps of Engineers Wetland Delineation Manual AND the appropriate Regional Supplements to the Corps of Engineers Wetland Delineation Manual for use in Pennsylvania..... <input type="checkbox"/> ➤ If direct or indirect wetland impacts are greater than 0.05 acre, a compensatory mitigation plan in accordance with the Department's Replacement criteria which provides compensation for both affected acreage, and functions at a minimum of one to one ratio. <input type="checkbox"/> ➤ If compensatory mitigation onsite is determined not feasible: A check, number _____, in the amount of \$ _____ payable to the National Fish and Wildlife Foundation, N.A. 1237, as compensatory mitigation for _____ acres of impact in wetlands, in accordance with the Pennsylvania Wetland Replacement Project..... <input type="checkbox"/> <p style="text-align: center;">(Additional Mitigation May Be Required by U.S. Army Corps)</p>	<input type="checkbox"/> <input type="checkbox"/> <input type="checkbox"/> <input type="checkbox"/> <input type="checkbox"/>	<input type="checkbox"/> <input type="checkbox"/> <input type="checkbox"/> <input type="checkbox"/> <input type="checkbox"/>
NOTE: If the Pennsylvania Wetland Replacement Fund is proposed to be used as compensatory mitigation for waters of the Commonwealth the U.S. Army Corps of Engineers may also require additional mitigation if the proposed activity impacts waters of the United States.		

SECTION F. CERTIFICATION

I certify under penalty of law that the information provided in this permit registration is true and correct to the best of my knowledge and information and that I possess the authority to undertake the proposed action. I am aware that there are significant penalties for submitting false information, including the possibility of fine and imprisonment for knowing violations. (If any of the information and/or plans is found to be in error, falsified, and/or incomplete, this authorization/verification may be subject to modification, suspension, or revocation in accordance with applicable regulations.) I further certify that this project complies with all the conditions of the general permit.

Signature of Applicant / Owner _____
Date

Typed / Printed Name

Typed / Printed Title

This General Permit shall not be effective until the owner has had their E&S Plan reviewed by the appropriate Regional Office or District, and, where required, obtained an SLLA from DEP.

THIS ACKNOWLEDGED COPY OF THIS GENERAL PERMIT REGISTRATION PACKAGE AND THE E&S PLAN MUST BE AVAILABLE AT THE PROJECT SITE DURING CONSTRUCTION.

SECTION G. DECISION / DISPOSITION – COMPLETED BY DEP

Decision Review:

DEP / District Reviewer Signature GP _____

Reviewer's Typed / Printed Name GP _____

NOTE: See Aquatic Resource Impact Table for any additional authorizations.

Disposition Status

Comments

- | | | |
|---|---|-------|
| <input type="checkbox"/> ACKNOWLEDGED | Date _____ | _____ |
| SLLA Required | <input type="checkbox"/> Yes Attached <input type="checkbox"/> No | _____ |
| <input type="checkbox"/> INCOMPLETE / DEFICIENCY | Date _____ | _____ |
| <input type="checkbox"/> EXTENSION REQUEST | Date _____ | _____ |
| <input type="checkbox"/> WITHDRAWN | Date _____ | _____ |

NOTE: If the GP registration information is incomplete a copy of this registration form and requested additional information will be sent to the applicant. A copy of the returned registration form and additional information must be re-submitted within 60 calendar days unless extended by the extension date listed above.

FEDERAL AUTHORIZATION

- Non-reporting PASPGP verification / authorization attached.
- Reporting – A copy of this General Permit registration package has been sent to the U.S. Army Corps of Engineers. Separate federal authorization may be required

NOTE: Please be advised that if the reporting box is checked you do not have Federal authorization for this project and such authorization may be required prior to starting your project. In accordance with Section 404 of the Clean Water Act, a Department of the Army authorization is required for the discharge of dredged and/or fill material into waters of the United States, including jurisdictional wetlands. Section 10 of the Rivers and Harbors Act also requires Department of the Army authorization for any work in, over, or under a navigable water of the United States. In accordance with procedures established with the U.S. Army Corps of Engineers, you will be contacted directly by the Corps regarding Federal Authorization.

EXHIBIT A

PENNSYLVANIA OFFICES

PENNSYLVANIA FISH AND BOAT COMMISSION

Regional Headquarters Address	County Responsibility
Northwest Region	
Regional Manager 11528 Highway 98 Meadville, PA 16335-7320 814-337-0444	Butler, Clarion, Crawford, Erie, Forest, Lawrence, Mercer, Venango and Warren
Southwest Region	
Regional Manager 236 Lake Road Somerset, PA 15501-1644 814-445-8974	Allegheny, Armstrong, Beaver, Cambria, Fayette, Greene, Indiana, Somerset, Washington and Westmoreland
Northcentral Region	
Regional Manager 595 East Rolling Ridge Drive Bellefonte, PA 16823 814-359-5250	Cameron, Centre, Clearfield, Clinton, Elk, Jefferson, Lycoming, McKean, Montour, Northumberland, Potter, Snyder, Tioga and Union
Southcentral Region	
Regional Manager 1704 Pine Road Newville, PA 17241 717-486-7087	Adams, Bedford, Blair, Cumberland, Dauphin, Franklin, Fulton, Huntingdon, Juniata, Lebanon, Mifflin, Northumberland (Mahatango Creek in Jordan and Lower Mahanoy Townships only), Perry and York
Southeast Region	
Regional Manager P.O. Box 9 Elm, PA 17521 717-626-0228	Berks, Bucks, Chester, Delaware, Lancaster, Lehigh, Montgomery, Northampton, Philadelphia and Schuylkill
Northeast Region	
Regional Manager 5566 Main Road Sweet Valley, PA 18656 570-477-5717	Bradford, Carbon, Columbia, Lackawanna, Luzerne, Monroe, Pike, Sullivan, Susquehanna, Wayne and Wyoming

DIVISION OF ENVIRONMENTAL SERVICES

595 East Rolling Ridge Drive, Bellefonte, PA 16823-9620

814-359-5147

DIVISION OF FISHERIES MANAGEMENT

595 East Rolling Ridge Drive, Bellefonte PA 16823-9620

814-359-5110

DIVISION OF FISHERIES MANAGEMENT

595 East Rolling Ridge Drive, Bellefonte, PA 16823-9620
814-359-5147

BUREAU OF LAW ENFORCEMENT

Aids to Navigation Coordinator
P.O. Box 67000, Harrisburg, PA 17106
717-705-7861

PENNSYLVANIA HISTORIC AND MUSEUM COMMISSION

BUREAU FOR HISTORIC PRESERVATION

Commonwealth Keystone Building,
400 North Street, 2nd Floor,
Harrisburg, PA 17120-0093
717-783-8946

PENNSYLVANIA DEPARTMENT OF CONSERVATION AND NATURAL RESOURCES

**BUREAU OF FORESTRY
ECOLOGICAL SERVICES SECTION**

P.O. Box 8552,
Harrisburg, PA 17105-8852
717-787-3444

EXHIBIT B

**U.S. ARMY CORPS OF ENGINEERS DISTRICT OFFICES
AND
DEPARTMENT OF ENVIRONMENTAL PROTECTION REGIONAL OFFICES**

U.S. ARMY CORPS OF ENGINEERS DISTRICT OFFICES

Ohio River Basin Portions of Lake Erie and Genesee River Basins Located in PA	Susquehanna River Basin	Delaware River Basin
Pittsburgh District Corps of Engineers Regulatory Branch Federal Building, 20 th Floor 1000 Liberty Avenue Pittsburgh, PA 15222 Phone: 412-395-7155 Fax: 412-644-4211	Baltimore District Corps of Engineers Pennsylvania Field Office 1631 South Atherton Street, Suite 101 State College, PA 16801 Phone: 814-235-0570 Fax: 814-235-0576	Philadelphia District Corps of Engineers Regulatory Branch Wanamaker Building 100 Penn Square East Philadelphia, PA 19107 Phone: 215-656-6725 Phone: 215-656-6729 (to report violations) Fax: 215-656-6724

DEPARTMENT OF ENVIRONMENTAL PROTECTION REGIONAL OFFICES

General Permit Registrations associated with oil and gas activities -

The General Permit Registration form and other associated documents must be sent to the appropriate DEP Bureau of Oil and Gas Management, Surfaces Permitting Section, Regional Office listed below.

**Bureau of Oil and Gas Management
Surfaces Permitting Section**

County Responsibility

Northwest District Oil & Gas Operations Office

230 Chestnut Street
 Meadville, PA 16335
 (814) 332-6860

Butler, Clarion, Crawford, Elk, Erie, Forest, Jefferson,
 Lawrence, McKean, Mercer, Venango and Warren

Southwest District Oil & Gas Operations Office

400 Waterfront Drive
 Pittsburgh, PA 15222-4745
 (412) 442-4281

Allegheny, Armstrong, Beaver, Cambria, Fayette,
 Greene, Indiana, Somerset, Washington and
 Westmoreland

Eastern District Oil & Gas Operations Office

208 W. Third Street, Suite 101
 Williamsport, PA 17701
 (570) 321-6550

Adams, Bedford, Berks, Blair, Bradford, Bucks, Carbon,
 Cameron, Centre, Chester, Clearfield, Clinton, Columbia,
 Cumberland, Dauphin, Delaware, Franklin, Fulton,
 Huntingdon, Juniata, Lackawanna, Lancaster, Lebanon,
 Lehigh, Luzerne, Lycoming, Mifflin, Monroe, Montgomery,
 Montour, Northampton, Northumberland, Perry,
 Philadelphia, Pike, Potter, Schuylkill, Snyder, Sullivan,
 Susquehanna, Tioga, Union, Wayne, Wyoming and York

DEPARTMENT OF ENVIRONMENTAL PROTECTION REGIONAL OFFICES continued***General Permit Registrations not associated with oil and gas activities –***

The General Permit Registration form and other associated documents must be sent to the appropriate delegated County Conservation District (see Exhibit C). This process does not apply to GP-11 or GP-15, which are sent to the DEP Regional Offices.

If the County Conservation District has not been delegated responsibility under the Chapter 105 program the General Permit Registration form and other associated documents must be sent to the appropriate DEP Permitting and Technical Service Section, Regional Office listed below.

Waterways and Wetlands Program Section	County Responsibility
Northwest Regional Office 230 Chestnut Street Meadville, PA 16335 (814) 332-6984	Butler, Clarion, Crawford, Elk, Erie, Forest, Jefferson, Lawrence, McKean, Mercer, Venango and Warren
Southwest Regional Office 400 Waterfront Drive Pittsburgh, PA 15222-4745 (412) 442-4000	Allegheny, Armstrong, Beaver, Cambria, Fayette, Greene, Indiana, Somerset, Washington and Westmoreland
Northcentral Regional Office 208 W. Third Street, Suite 101 Williamsport, PA 17701 (570) 327-3574	Bradford, Cameron, Centre, Clearfield, Clinton, Columbia, Lycoming, Montour, Northumberland, Potter, Snyder, Sullivan, Tioga and Union
Southcentral Regional Office 909 Elmerton Avenue, Second Floor Harrisburg, PA 17110 (717) 705-4802	Adams, Bedford, Berks, Blair, Cumberland, Dauphin, Franklin, Fulton, Huntingdon, Juniata, Lancaster, Lebanon, Mifflin, Perry and York
Northeast Regional Office 2 Public Square Wilkes-Barre, PA 18711-0790 (570) 826-2511	Carbon, Lackawanna, Lehigh, Luzerne, Monroe, Northampton, Pike, Schuylkill, Susquehanna, Wayne and Wyoming
Southeast Regional Office 2 East Main Street Norristown, PA 19401 (484) 250-5970	Bucks, Chester, Delaware, Montgomery and Philadelphia

Delegated Programs

- ◆ Chapter 105
- NPDES and E&S Permits

EXHIBIT C

CONSERVATION DISTRICTS

- Adams County
670 Old Harrisburg Rd., Suite 201
Gettysburg, PA 17325
717-334-0636
- Allegheny County
◆ 33 Terminal Way, Suite 325B
Pittsburgh, PA 15219
412-241-7645
- Armstrong County
Armsdale Admin. Building
124 Armsdale Rd., Suite B-2
Kittanning, PA 16201
724-548-3425
- Beaver County
◆ 156 Cowpath Rd.
Aliquippa, PA 15001
724-378-1701
- Bedford County
702 W. Pitt St., Suite 4
Bedford, PA 15522
814-623-7900 Ext. 4
- Berks County
◆ 1238 County Welfare Rd., Suite 200
Leesport, PA 19533
610-372-4657 Ext. 5
- Blair County
1407 Blair St.
Hollidaysburg, PA 16648
814-696-0877 Ext. 5
- Bradford County
◆ Stoll Natural Resource Center
RR 5, Box 5030C,
Towanda, PA 18848
570-265-5539 Ext. 6
- Bucks County
1456 Ferry Rd., Suite 704
Doylestown, PA 18901
215-345-7577
- Butler County
◆ 122 McCune Dr.
Butler, PA 16001
724-284-5270
- Cambria County
◆ 401 Candlelight Dr., Suite 221
Ebensburg, PA 15931
814-472-2120
- Cameron County
◆ 20 E. Fifth St., Room 105
Emporium, PA 15834
814-486-9353
- Carbon County
5664 Interchange Rd.
Lehighton, PA 18235
610-377-4894 Ext. 4
- Centre County
◆ 414 Holmes Ave., Suite 4
Bellefonte, PA 16823
814-355-6817
- Chester County
Willowdale Town Center
688 Unionville Rd., Suite 200
Kennett Square, PA 19348
610-925-4920
- Clarion County
214 S. 7th Ave
Clarion, PA 16214
814-297-7813
- Clearfield County
6395 Clearfield Woodland Hwy
Suite 2
Clearfield, PA 16830
814-765-2629
- Clinton County
◆ 45 Cooperation Lane
Mill Hall, PA 17751
570-726-3798
- Columbia County
◆ 702 Sawmill Rd., Suite 204
Bloomsburg, PA 17815
570-784-1310 Ext. 5
- Crawford County
◆ Woodcock Creek Nature Center
21742 German Rd.
Meadville, PA 16335
814-763-5269
- Cumberland County
310 Allen Rd., Suite 301
Carlisle, PA 17013
717-240-7812
- Dauphin County
1451 Peters Mountain Rd.
Dauphin, PA 17018
717-921-8100
- Delaware County
◆ Rose Tree Park Hunt Club
1521 N. Providence Rd.
Media, PA 19063
610-892-9484
- Elk County
◆ 850 Washington St.
St. Mary's, PA 15857
814-776-5373
- Erie County
◆ 1927 Wager Rd.
Erie, PA 16509
814-825-6403
- Fayette County
10 Nickman Plaza
Lemont Furnace, PA 15456
724-438-4497
- Forest County
526 Elm St., Box 4
Tionesta, PA 16353
814-755-3560
- Franklin County
185 Franklin Farm Lane
Chambersburg, PA 17202
717-264-5499
- Fulton County
216 N. Second St., Suite 15
McConnellsburg, PA 17233
717-485-3547
- Greene County
◆ 22 W. High St., Suite 204
Waynesburg, PA 15370-1839
724-852-5273
- Huntingdon County
10605 Raystown Rd., Suite A
Huntingdon, PA 16652
814-627-1627
- Indiana County
◆ 625 Kolter Dr., Suite 8
Indiana, PA 15701
724-471-4751
- Jefferson County
◆ 1514 Route 28
Brookville, PA 15825
814-849-7463
- Juniata County
146 Stoney Creek Dr.
Mifflintown, PA 17059
717-436-8953 Ext. 5
- Lackawanna County
1038 Montdale Rd., Suite 109
Scott, PA 18447
570-382-3086
- Lancaster County
◆ 1383 Arcadia Rd., Room 200
Lancaster, PA 17601-3149
717-299-5361 Ext. 5
- Lawrence County
430 Court St.
New Castle, PA 16101
724-652-4512

- Lebanon County
Lebanon Valley Ag. Center
2120 Cornwall Rd., Suite 5
Lebanon, PA 17042-9788
717-272-3908 Ext. 4
- Lehigh County
Lehigh Ag. Center, Suite 105
4184 Dorney Park Rd.
Allentown, PA 18104
610-391-9583
- Luzerne County
325 Smiths Pond Rd.
Shavertown, PA 18708
570-674-7991
- Lycoming County
542 County Farm Rd., Suite 202
Montoursville, PA 17754
570-433-3003
- McKean County
◆17137 Route 6
Smethport, PA 16749
814-887-4001
- Mercer County
◆24 Avalon Ct., Suite 300
Mercer, PA 16137-5023
724-662-2242
- Mifflin County
20 Windmill Hill #4
Burnham, PA 17009
717-248-4695
- Monroe County
◆8050 Running Valley Rd.
Stroudsburg, PA 18360
570-629-3060
- Montgomery County
143 Level Rd.
Collegeville, PA 19426
610-489-4506
- Montour County
◆14 E. Mahoning St.
Danville, PA 17821
570-271-1140
- Northampton County
Greystone Building.
14 Gracedale Ave.
Nazareth, PA 18064
610-829-6276
- Northumberland County
◆441 Plum Creek Rd.
Sunbury, PA 17801
570-495-4665 Ext. 4
- Perry County
P.O. Box 36
31 W. Main St.,
New Bloomfield, PA 17068
717-582-8988 Ext. 4
- Pike County
◆556 Route 402
Hawley, PA 18428
570-226-8220
- Potter County
◆107 Market St.
Coudersport, PA 16915
814-274-8411 Ext. 4
- Schuylkill County
1206 AG Center Dr.
Pottsville, PA 17901
570-622-3742 Ext. 5
- Snyder County
10541 Route 522
Middleburg, PA 17842
570-837-3000 Ext. 0
- Somerset County
6024 Glades Pike, Suite 103
Somerset, PA 15501
814-445-4652 Ext. 5
- Sullivan County
9219 Route 487, Suite B
Dushore, PA 18614
570-928-7057
- Susquehanna County
◆88 Chenango St.
Montrose, PA 18801
570-278-2497
- Tioga County
◆1867 Shumway Hill Rd.
Wellsboro, PA 16901
570-724-1801 Ext. 3
- Union County
◆155 N. 15th St.
Lewisburg, PA 17837
570-524-3860
- Venango County
1793 Cherrytree Rd.
Franklin, PA 16323
814-676-2832
- Warren County
◆4000 Conewango Ave.
Warren, PA 16365
814-726-1441
- Washington County
◆2800 N. Main St., Suite 105
Washington, PA 15301
724-228-6774
- Wayne County
◆Wayne Co. Park St. Complex
648 Park St.
Honesdale, PA 18431
570-253-0930
- Westmoreland County
◆Center for Conservation Ed.
218 Donohoe Rd.
Greensburg, PA 15601
724-837-5271
- Wyoming County
21 Hollowcrest Complex
Tunkhannock, PA 18657
570-836-2589 Ext. 3
- York County
118 Pleasant Acres Rd.
York, PA 17402
717-840-7430

CHAPTER 105 FEE(S) CALCULATION WORKSHEET

Additional information can be found at [25 PA Code §105.13](#) (relating to regulated activities – information and fees), the General Permit Registration ([3150-PM-BWEW0500](#)), the Joint Permit Application ([3150-PM-BWEW0036](#)) and the Dam Permit Application ([3140-PM-BWEW0001](#))

Federal, State, county or municipal agencies or municipal authorities:

EXEMPT from fees

These entities are exempt from these fees. If the applicant falls into one of these categories, please check the box above and provide only the first page of this worksheet with the project application or registration.

ALL OTHERS:

1. Please place an “X” in the box next to all authorizations that apply to the project and complete the fee information below those authorization(s). Projects may require multiple authorizations and fees, further clarification and examples are included below and at the end of this document.
2. Total each authorization, Section, and Part. Part One is for Water Obstructions and Encroachment authorizations, Part Two is for Dam Safety authorizations.
3. Please provide this completed worksheet (page 1 and page 2 and/or page 3, as is appropriate to the project) and a check for the applicable fee(s) with the project application or registration. The check should be made payable to the “**Commonwealth of Pennsylvania Clean Water Fund**” OR “**_____ Conservation District Clean Water Fund**”, whichever is the reviewing entity.

NOTES:

Per 25 PA Code §105.13(c)(2)(iii) Disturbance review fees are calculated by individually adding all of the permanent and temporary impacts to waterways, floodways, floodplains and bodies of water including wetlands to the next highest tenth acre and multiplying the permanent and temporary impacts by the respective fees and then these amounts are added to the other applicable fees.

Entities proposing structures or activities to occupy a Submerged Lands of the Commonwealth must obtain a Submerged Lands License Agreement (SLLA) and pay the appropriate annual charge. The applicant will be contacted if this charge applies to the project.

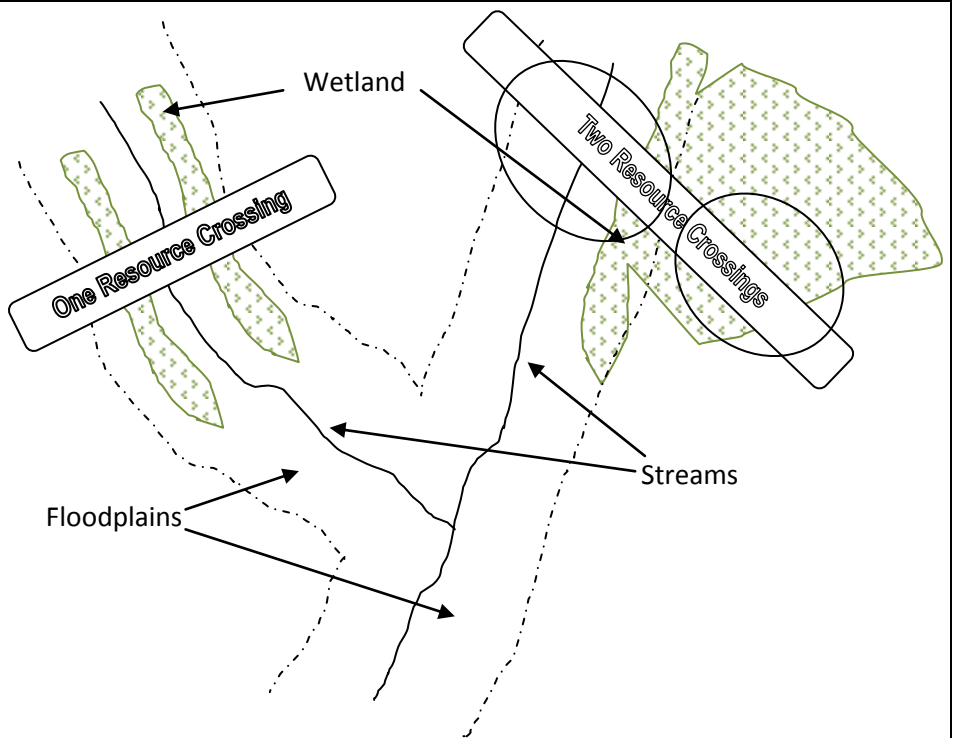
Floodway – The channel of the watercourse and portions of the adjoining floodplains which are reasonably required to carry and discharge the 100-year frequency flood. Unless otherwise specified, the boundary of the floodway is as indicated on maps and flood insurance studies provided by FEMA. In an area where no FEMA maps or studies have defined the boundary of the 100-year frequency floodway, it is assumed, absent evidence to the contrary, that the floodway extends from the stream to 50 feet from the top of the bank of the stream.

Wetland and Stream Clarification:

¹ In many instances, wetlands are located within the floodplain of a stream. These resources for the purposes of calculating disturbance fees are considered co-located or overlapping and the area of disturbance would only be used once.

² In the case of GP-5, GP-7 and GP-8 fees are charged per structure per resource crossing and the following also applies to the disturbance fees:

- A crossing of the stream and the floodplain with wetlands present within the floodplain is considered one resource crossing.
- When the crossing traverses a stream and the floodplain and a wetland that is located outside of the floodplain or a wetland that extends out beyond the floodplain, it is considered two resource crossings.



PART ONE: WATER OBSTRUCTIONS AND ENCROACHMENTS

SECTION A. APPLICATION FEES

WATER OBSTRUCTION AND ENCROACHMENT PERMIT (Joint Permit Application)

Some activities or structures within a project may also qualify for an accumulation of General Permit fees, please mark the box above indicating an Individual Water Obstruction and Encroachment Permit AND the corresponding fee(s) in the General Permit section below those. Activities or structures not qualifying for a General Permit fee must include a disturbance fee.

<input type="checkbox"/> Administrative Filing Fee ¹		\$ 1,750	+	
<input type="checkbox"/> Temporary Disturbance (\$400/0.1ac)	_____ acres x \$4,000 =	\$ _____	+	
<input type="checkbox"/> Permanent Disturbance (\$800/0.1ac)	_____ acres x \$8,000 =	\$ _____		= \$ _____
WO&E FEE subtotal (a)				\$ _____

GENERAL PERMIT(S) (select activity/structure(s) below, see page 4 for “#” explanation)

Some activities or structures within a project requiring an Individual Water Obstruction and Encroachment Permit may qualify for an accumulation of General Permit fees, please mark the corresponding fee(s) below but not the box above indicating a General Permit.

<input type="checkbox"/> GP-1 Fish Habitat Enhancement Structures		\$ 50	= \$ _____	
<input type="checkbox"/> GP-2 Small Docks and Boat Launching Ramps.....	_____ (#) X	\$ 175	= \$ _____	
<input type="checkbox"/> GP-3 Bank Rehabilitation, Bank Protection and Gravel Bar Removal	_____ (#) X	\$ 250	= \$ _____	
<input type="checkbox"/> GP-4 Intake and Outfall Structures	_____ (#) X	\$ 200	= \$ _____	
<input type="checkbox"/> GP-5 Utility Line Stream Crossings ²	_____ (#) X _____ (#) X	\$ 250	= \$ _____	
<input type="checkbox"/> GP-6 Agricultural Crossings and Ramps	_____ (#) X	\$ 50	= \$ _____	
<input type="checkbox"/> GP-7 Minor Road Crossings ²	_____ (#) X	\$ 350	= \$ _____	
<input type="checkbox"/> GP-8 Temporary Road Crossings ²	_____ (#) X	\$ 175	= \$ _____	
<input type="checkbox"/> GP-9 Agricultural Activities		\$ 50	= \$ _____	
<input type="checkbox"/> GP-10 Abandoned Mine Reclamation		\$ 500	= \$ _____	
<input type="checkbox"/> GP-11 Maintenance, Testing, Repair, Rehabilitation, or Replacement of Water Obstructions and Encroachments ¹		\$ 750	+	
<input type="checkbox"/> Temporary Disturbance (\$400/0.1ac)	_____ acres x \$4,000 =	\$ _____	+	
<input type="checkbox"/> Permanent Disturbance (\$800/0.1ac)	_____ acres x \$8,000 =	\$ _____	= \$ _____	
<input type="checkbox"/> GP-15 Private Residential Construction in Wetlands ¹		\$ 750	+	
<input type="checkbox"/> Temporary Disturbance (\$400/0.1ac)	_____ acres x \$4,000 =	\$ _____	+	
<input type="checkbox"/> Permanent Disturbance (\$800/0.1ac)	_____ acres x \$8,000 =	\$ _____	= \$ _____	
GP(s) FEE subtotal (b)				\$ _____

PART ONE: SECTION A. APPLICATION FEE(S) subtotal (a+b=c) \$ _____

SECTION B. OTHER FEES

<input type="checkbox"/> Environmental Assessment for Waived Activities (§105.13(c)(2)(iv))		\$ 500	\$ _____
<input type="checkbox"/> Amendment to Water Obstruction and Encroachment Permit			
<input type="checkbox"/> Major Amendment ¹		\$ 500	+
<input type="checkbox"/> Temporary Disturbance	_____ acres x \$4,000 =	\$ _____	+
<input type="checkbox"/> Permanent Disturbance	_____ acres x \$8,000 =	\$ _____	= \$ _____
<input type="checkbox"/> Minor Amendment		\$ 250	\$ _____

Transfer of Water Obstruction and Encroachment Permit *does not require submission of this form;*
see [Application for Transfer of Permit / Submerged Lands License Agreement \(3150-PM-BWEW-0016\)](#)

PART ONE: SECTION B. OTHER FEE(S) subtotal (d) \$ _____

PART ONE: FEE(S) TOTAL (c+d=e) \$ _____

DEP USE ONLY

FEE TOTAL: _____	Permit / Authorization Number (s): _____
Correct Amount: _____	Check #: _____
Check Amount: _____	Payable to: _____

PART TWO: DAM SAFETY (USE ONE FEE SHEET PER DAM)

SECTION A. APPLICATION FEES

DAM PERMIT APPLICATION – NEW DAM

- Size A Hazard 1 \$26,500 Hazard 2 \$26,500 Hazard 3 \$25,500 Hazard 4 \$23,500 \$ _____
- Size B Hazard 1 \$19,000 Hazard 2 \$19,000 Hazard 3 \$18,500 Hazard 4 \$17,000 \$ _____
- Size C Hazard 1 \$10,500 Hazard 2 \$10,500 Hazard 3 \$10,000 Hazard 4 \$ 8,000 \$ _____

STAGED CONSTRUCTION

NO. OF STAGES BEYOND INITIAL STAGE _____ X APPLICATION FEE _____ X 0.90 (90%) \$ _____

DAM PERMIT APPLICATION – MODIFICATION OF DAM

- Size A Hazard 1 \$18,500 Hazard 2 \$18,500 Hazard 3 \$18,500 Hazard 4 \$18,000 \$ _____
- Size B Hazard 1 \$12,000 Hazard 2 \$12,000 Hazard 3 \$12,000 Hazard 4 \$11,500 \$ _____
- Size C Hazard 1 \$ 7,500 Hazard 2 \$ 7,500 Hazard 3 \$ 7,500 Hazard 4 \$ 7,500 \$ _____

STAGED CONSTRUCTION

NO. OF STAGES BEYOND INITIAL STAGE _____ X APPLICATION FEE _____ X 0.85 (85%) \$ _____

DAM PERMIT APPLICATION – OPERATION & MAINTANANCE OF EXISTING DAM

- Size A Hazard 1 \$12,500 Hazard 2 \$12,500 Hazard 3 \$12,000 Hazard 4 \$10,000 \$ _____
- Size B Hazard 1 \$10,000 Hazard 2 \$10,000 Hazard 3 \$ 9,500 Hazard 4 \$ 8,500 \$ _____
- Size C Hazard 1 \$ 7,000 Hazard 2 \$ 7,000 Hazard 3 \$ 6,500 Hazard 4 \$ 6,000 \$ _____

PART TWO: SECTION A. APPLICATION FEE(S) subtotal (a) \$ _____

SECTION B. OTHER FEES

Letter of Amendment or Authorization

Major (≥\$250,000)

- Size A \$14,700 Size B \$ 8,700 Size C \$ 4,400 \$ _____

Minor (<\$250,000)

- Size A \$ 1,300 Size B \$ 1,000 Size C \$ 650 \$ _____

Major Dam Design Revision

- Size A \$ 4,700 Size B \$ 3,200 Size C \$ 1,700 \$ _____

Environmental Assessment

Environmental Assessment for Dam Removal (§105.12(a)(16)) \$ 500 \$ _____

Non-Jurisdictional Dams \$ 900 \$ _____

Letter of Amendment or Authorization

- Size A \$ 1,400 Size B \$ 1,000 Size C \$ 900 \$ _____

Transfer of Dam Permit

No Proof of Financial Responsibility \$ 550 Proof of Financial Responsibility \$300 \$ _____

Annual Registration

- Hazard 1 \$ 1,500 Hazard 2 \$ 1,500 Hazard 3 \$ 800 \$ _____

PART TWO: SECTION B. OTHER FEE(S) subtotal (b) \$ _____

PART TWO: FEE(S) TOTAL (a+b=c) \$ _____

DEP USE ONLY

FEE TOTAL: _____	Permit / Authorization Number (s): _____
Correct Amount: _____	Check #: _____
Check amount: _____	Payable to: _____

GP Fee Explanation (#):

GP #	Description	Fee	Fee Explanation (#)
GP-1	Fish Habitat Enhancement Structures	\$ 50	Fee is assessed per project not per individual structure.
GP-2	Small Docks and Boat Launching Ramps	\$175	Fee is assessed per individual dock or boat ramp. The fee is the number of docks and ramps totaled times the fee.
GP-3	Bank Rehabilitation, Bank Protection and Gravel Bar Removal	\$250	Fee is assessed per project and not individual bank or gravel bar removal locations. Only one single and complete project along a continuous stream reach not exceeding 500 feet measured down centerline of stream. Additional projects or areas must be separately registered and the fee would apply to each registration.
GP-4	Intake and Outfall Structures	\$200	Fee is assessed per individual intake or outfall structure. The fee is the total number of structures times the fee.
GP-5 ²	Utility Line Stream Crossings ²	\$250	Fee is assessed per individual utility line or conduit crossing (a wetland and stream crossing may be separate crossings even if adjacent). The fee is the total number of utility lines times the number of resource crossings times the fee.
GP-6	Agricultural Crossings and Ramps	\$ 50	Fee is assessed per individual crossing or ramp structure. The fee is the total number of crossings and ramps times the fee.
GP-7 ²	Minor Road Crossings ²	\$350	Fee is assessed per individual minor road crossing (a wetland and stream crossing may be separate crossings even if adjacent). The fee is the total number of road crossings times the fee.
GP-8 ²	Temporary Road Crossings ²	\$175	Fee is assessed per individual temporary road crossing (a wetland and stream crossing may be separate crossings even if adjacent). The fee is the total number of temporary road crossings times the fee.
GP-9	Agricultural Activities	\$ 50	Fee is assessed per project not per individual structure or activity. Multiple projects can be registered under a single registration and as such the fee is applied to each project and then totaled.
GP-10	Abandoned Mine Reclamation	\$500	Fee is assessed per project not per individual activity. Multiple projects can be registered under a single registration and as such the fee is applied to each project and then totaled.
GP-11 ¹	Maintenance, Testing, Repair, Rehabilitation, or Replacement of Water Obstructions and Encroachments ¹	\$750	Fee is assessed for each registration package (can include multiple activities or structures) and is added to the permanent and temporary disturbance review fees calculated for each registration package respectively.
GP-15 ¹	Private Residential Construction in Wetlands ¹	\$750	Fee is assessed for each registration package (can include multiple activities or structures) and is added to the permanent and temporary disturbance review fees calculated for each registration package respectively.

Water Obstruction and Encroachment Examples:

1. **GP-7 Minor Road Crossing:** Minor road crossing of a stream that qualifies for BDWM GP-07.

GENERAL PERMIT(S) (select activity/structure(s) below)

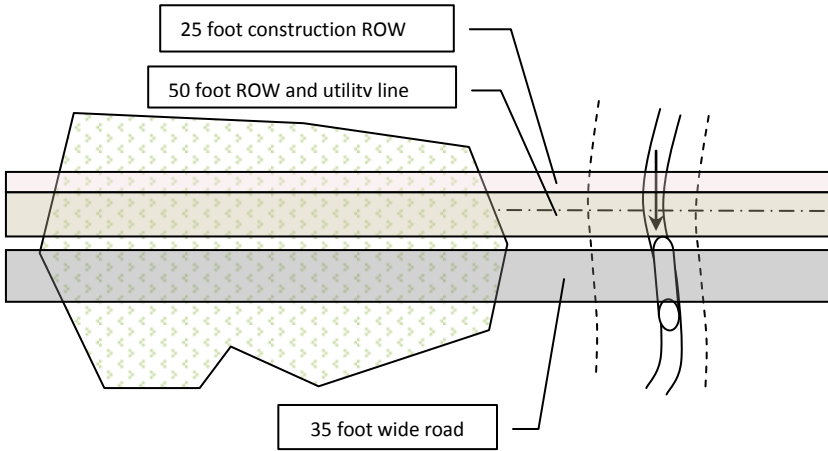
Some activities or structures within a project requiring an Individual Water Obstruction and Encroachment Permit may qualify for an accumulation of General Permit fees, please mark the corresponding fee(s) below but not the box above indicating a General Permit.

GP-7 Minor Road Crossings 1 (#) x \$ 350 = \$ 350
GP(s) FEE subtotal (b) \$ 350

2. **Joint Permit Application for Individual Water Obstruction Encroachment Permit:** The project proposes to construct an access road requiring the placement of fill in 0.27 acres of wetlands as part of a residential subdivision.

Administrative Filing Fee \$ 1,750 +
 Temporary Disturbance (\$400/0.1ac) 0.0 acres x \$4,000 = \$ 0 +
 Permanent Disturbance (\$800/0.1ac) 0.3 acres x \$8,000 = \$ 2,400 = \$ 4,150
WO&E FEE subtotal (a) \$ 4,150

3. Joint Permit Application for Individual Water Obstruction Encroachment Permit: The project proposes to construct an access road and utility line through a wetland and stream. The road will require placement of fill in 0.28 acres of wetlands, placement of a 45 foot long x 36 inch CMP in the stream and placement of fill in the floodway for road approaches to the culvert (east approach 35 feet wide x 4 feet deep x 50 feet long and west approach 35 feet wide x 2 feet deep x 15 feet). The utility line is 30 inch diameter steel pipe carrying petroleum products. The utility line will be open trenched through the wetland with a permanent right of way of 50 feet x 350 feet and an additional construction right of way 25 feet x 350 feet. The utility line will be open trenched traversing through the entire floodway and stream with a permanent right of way totaling 50 feet x 68 feet (east floodway 50 feet x 50 feet, stream 50 feet x 3 feet and west floodway 50 feet x 15 feet) and an additional construction right of way 25 feet x 68 feet.



Impact Calculations and Summary

Resource/Impact Type	Permanent	Temporary
Wetland		
Road	0.28	0
Utility Const. ROW	0	0.2
Utility Perm. ROW	0.4	0
Floodway/Stream		
Road	0.05	0
Utility Const. ROW	0	0.04
Utility Perm. ROW	0.08	0
Totals:	0.81	0.24
Rounded Totals:	0.9	0.3

<input checked="" type="checkbox"/> Administrative Filing Fee	\$ 1,750	+	
<input checked="" type="checkbox"/> Temporary Disturbance (\$400/0.1ac).....	<u>0.3</u> acres x \$4,000 =	\$ <u>1,200</u>	+
<input checked="" type="checkbox"/> Permanent Disturbance (\$800/0.1ac).....	<u>0.9</u> acres x \$8,000 =	\$ <u>7,200</u>	= \$ <u>10,150</u>
WO&E FEE subtotal (a)			\$ <u>10,150</u>

4. Joint Permit Application for Individual Water Obstruction Encroachment Permit: The project proposes to construct a building, two minor road crossings that qualify for BDWM GP-07 and place three separate utility lines through a wetland and a separate stream that qualify for BDWM GP-05. The building will require placement of fill in 0.17 acres of wetlands.

<input checked="" type="checkbox"/> Administrative Filing Fee	\$ 1,750	+	
<input type="checkbox"/> Temporary Disturbance (\$400/0.1ac).....	<u>0.0</u> acres x \$4,000 =	\$ <u>0</u>	+
<input checked="" type="checkbox"/> Permanent Disturbance (\$800/0.1ac).....	<u>0.2</u> acres x \$8,000 =	\$ <u>1,600</u>	= \$ <u>3,350</u>
WO&E FEE subtotal (a)			\$ <u>3,350</u>

GENERAL PERMIT(S) (select activity/structure(s) below)

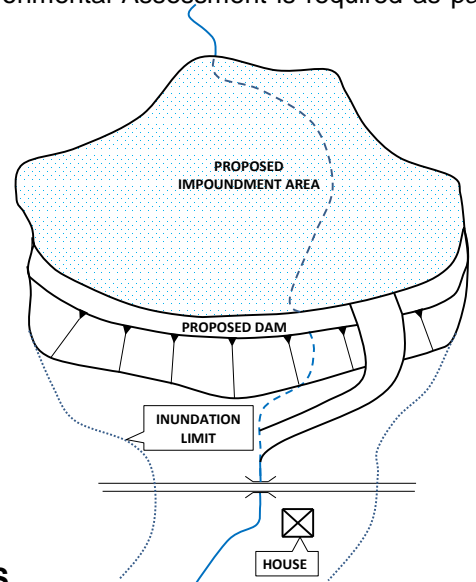
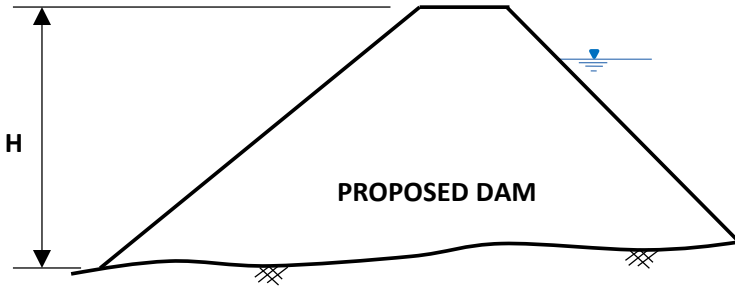
Some activities or structures within a project requiring an Individual Water Obstruction and Encroachment Permit may qualify for an accumulation of General Permit fees, please mark the corresponding fee(s) below but not the box above indicating a General Permit.

<input checked="" type="checkbox"/> GP-5 Utility Line Stream Crossings.....	<u>6</u> (#) x	\$ 250	= \$ <u>1,500</u>
<input checked="" type="checkbox"/> GP-7 Minor Road Crossings.....	<u>2</u> (#) x	\$ 350	= \$ <u>700</u>
GP(s) FEE subtotal (b)			\$ <u>2,200</u>

PART ONE: SECTION A. APPLICATION FEE(S) subtotal (a+b=c) \$ 5,550

Dam Safety Examples:

5. New Dam Permit Application: This project proposes to construct a 25-foot high dam that has a maximum storage of 500 acre-feet of water. This dam would be classified as a size category “C” dam per §105.91. There is one home and one roadway within the inundation area downstream of the dam. This dam would have a hazard classification of “2”. All stream and wetland impacts are covered under the Dam Permit Application. An Environmental Assessment is required as part of the Dam Permit Application, but a separate fee is not required.

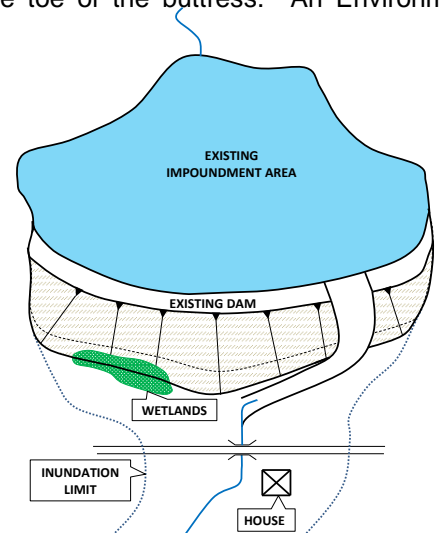
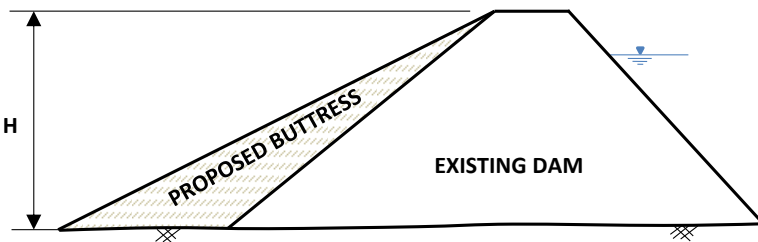


**DAM SAFETY APPLICATION FEES
(TO BE FILED WITH DAM SAFETY WITH THE DAM PERMIT APPLICATION)**

DAM PERMIT APPLICATION – NEW DAM

<input checked="" type="checkbox"/> Size C	<input type="checkbox"/> Hazard 1 \$10,500	<input checked="" type="checkbox"/> Hazard 2 \$10,500	<input type="checkbox"/> Hazard 3 \$10,000	<input type="checkbox"/> Hazard 4 \$8,000	<u>\$ 10,500</u>
DAM SAFETY FEE total					\$ 10,050

6. Letter of Authorization with Environmental Assessment: This project proposes to modify a 25-foot high dam that has a maximum storage of 500 acre-feet of water. This dam would be classified as a size category “C” dam per §105.91. The proposed modification involves buttressing the downstream slope of the dam with soil to improve the stability. The total project cost will be \$100,000. A small wetland area will be impacted near the toe of the buttress. An Environmental Assessment will be required to assess the impacts to the wetland.

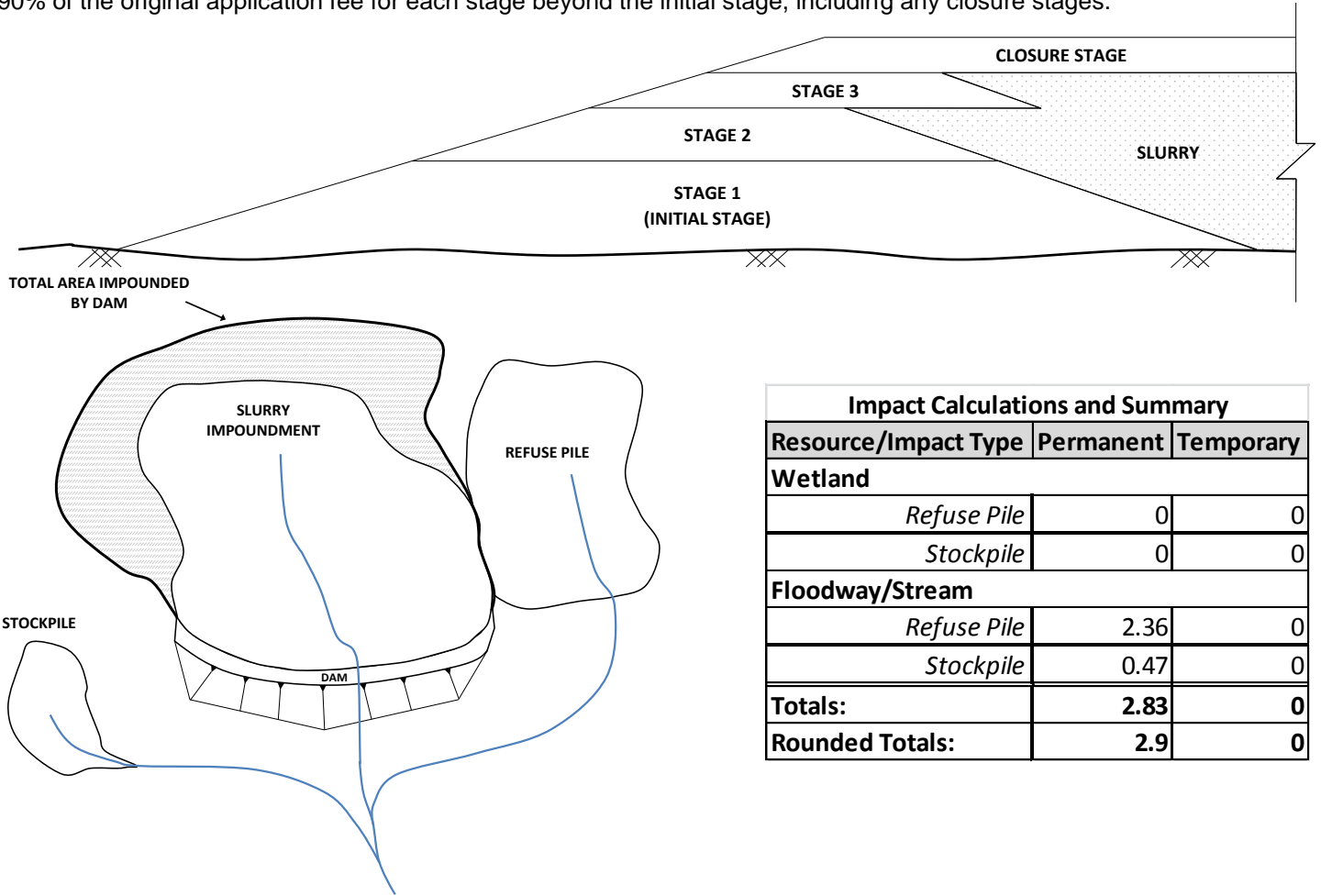


DAM SAFETY FEES

<input checked="" type="checkbox"/> Letter of Amendment or Authorization				
<input checked="" type="checkbox"/> Minor (<\$250,000)				
<input type="checkbox"/> Size A \$ 1,300	<input type="checkbox"/> Size B \$ 1,000			
<input checked="" type="checkbox"/> Environmental Assessment				
<input checked="" type="checkbox"/> Letter of Amendment or Authorization				
<input type="checkbox"/> Size A \$ 1,400	<input type="checkbox"/> Size B \$ 1,000			

<input checked="" type="checkbox"/> Size C	\$ 650	<u>\$ 650</u>
<input checked="" type="checkbox"/> Size C	\$ 900	<u>\$ 900</u>
DAM SAFETY FEE total		\$ 1,550

7. New Dam Permit Application with Staged Construction and Disturbance Review Fees: The project proposes to construct a staged construction, high hazard dam, to be utilized for containing a slurry impoundment. There will also be a refuse pile constructed adjacent to the slurry impoundment impacting 1000 linear feet of stream, causing a permanent disturbance to the 3-foot wide stream and 50 feet of floodway on either side of the stream [1000 x (50+3+50)]. A refuse stockpile will also impact 200 linear feet of stream, causing a permanent disturbance to the 3-foot wide stream and 50 feet of floodway on either side of the stream [200 x (50+3+50)]. The Dam Safety Application Fee will include the application fee for the applicable size and hazard classification of the dam. The Dam Safety Application Fee will also include a fee equal to 90% of the original application fee for each stage beyond the initial stage, including any closure stages.



WATER OBSTRUCTION AND ENCROACHMENT FEES

(TO BE FILED WITH DEP REGIONAL OFFICE, COUNTY CONSERVATION OFFICE, OR DISTRICT MINING)

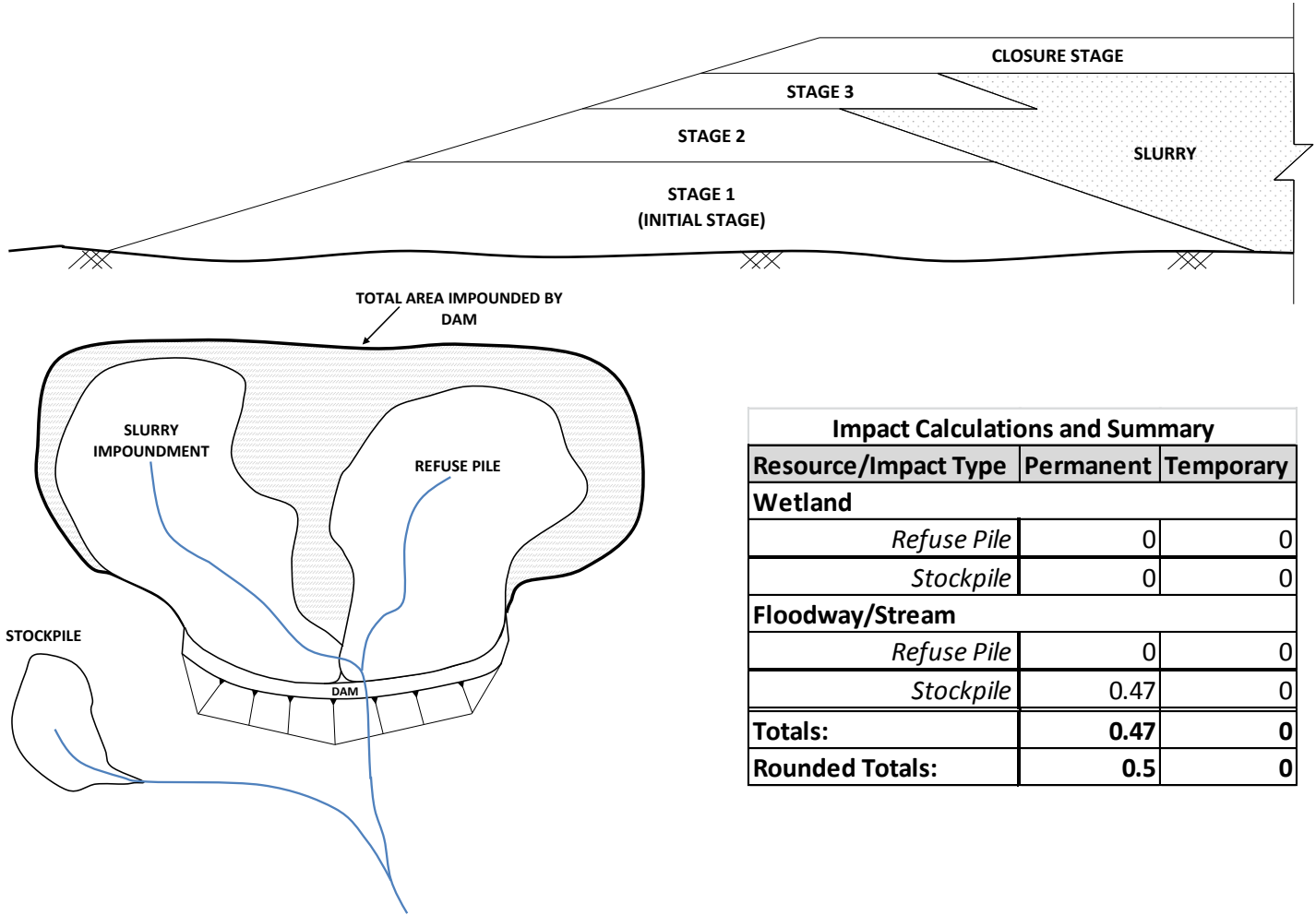
<input checked="" type="checkbox"/> Administrative Filing Fee		\$1,750
<input type="checkbox"/> Temporary Disturbance (\$400/0.1ac)	<u>0.0</u> acres x \$4,000 =	
<input checked="" type="checkbox"/> Permanent Disturbance (\$800/0.1ac)	<u>2.9</u> acres x \$8,000 =	<u>\$23,200</u>
WO&E FEE total		<u>\$24,950</u>

DAM SAFETY APPLICATION FEES

(TO BE FILED WITH DAM SAFETY WITH THE DAM PERMIT APPLICATION)

<input checked="" type="checkbox"/> DAM PERMIT APPLICATION – NEW DAM		
<input checked="" type="checkbox"/> Size A	<input checked="" type="checkbox"/> Hazard 1 \$26,500	<input type="checkbox"/> Hazard 2 \$26,500
<input type="checkbox"/> Hazard 3 \$25,500	<input type="checkbox"/> Hazard 4 \$23,500	\$ <u>26,500</u>
<input checked="" type="checkbox"/> STAGED CONSTRUCTION		
No. OF STAGES BEYOND INITIAL STAGE <u>3</u> X APPLICATION FEE <u>\$26,500</u> X 0.90 (90%)		\$ <u>71,550</u>
DAM SAFETY FEE total		<u>\$ 98,050</u>

8. New Dam Permit Application with Staged Construction: The project proposes to construct a staged construction, high hazard dam, to be utilized for containing a slurry impoundment and refuse pile. A refuse stockpile will also impact 200 linear feet of stream, causing a permanent disturbance to the 3-foot wide stream and 50 feet of floodway on either side of the stream [200 x (50+3+50)]. The Dam Safety Application Fee will include the application fee for the applicable size and hazard classification of the dam. The Dam Safety Application Fee will also include a fee equal to 90% of the original application fee for each stage beyond the initial stage, including any closure stages.



Impact Calculations and Summary		
Resource/Impact Type	Permanent	Temporary
Wetland		
Refuse Pile	0	0
Stockpile	0	0
Floodway/Stream		
Refuse Pile	0	0
Stockpile	0.47	0
Totals:	0.47	0
Rounded Totals:	0.5	0

WATER OBSTRUCTION AND ENCROACHMENT FEES

(TO BE FILED WITH DEP REGIONAL OFFICE, COUNTY CONSERVATION OFFICE, OR DISTRICT MINING)

<input checked="" type="checkbox"/> Administrative Filing Fee		\$1,750
<input type="checkbox"/> Temporary Disturbance (\$400/0.1ac)	0.0 acres x \$4,000 =	
<input checked="" type="checkbox"/> Permanent Disturbance (\$800/0.1ac)	0.5 acres x \$8,000 =	\$4,000
WO&E FEE total		\$5,750

DAM SAFETY APPLICATION FEES

(TO BE FILED WITH DAM SAFETY WITH THE DAM PERMIT APPLICATION)

<input checked="" type="checkbox"/> DAM PERMIT APPLICATION – NEW DAM		
<input checked="" type="checkbox"/> Size A	<input checked="" type="checkbox"/> Hazard 1 \$26,500	<input type="checkbox"/> Hazard 2 \$26,500
<input type="checkbox"/> Hazard 3 \$25,500	<input type="checkbox"/> Hazard 4 \$23,500	\$ 26,500
<input checked="" type="checkbox"/> STAGED CONSTRUCTION		
No. OF STAGES BEYOND INITIAL STAGE 3 X APPLICATION FEE \$26,500 X 0.90 (90%)		\$ 71,550
DAM SAFETY FEE total		\$ 98,050

INSTRUCTIONS FOR COMPLETING THE PASPGP-5 REVIEW CHECKLIST

The following instructions below are provided as a tool to assist permit applicants to determine if a proposed project will be either a U.S. Army Corp of Engineer's Reporting or Non-Reporting action. The checklist is not required to be submitted for a Chapter 105 permit review but, if provided, it may provide clarity to DEP during the permit review.

Question 1:

Answer YES if any of the proposed work is located waterward of the ordinary high water mark (OHWM) and/or the mean high water line (MHWL) of the following ineligible waterbodies within Pennsylvania:

- a. The Delaware River, downstream of the U.S. Route 202 Bridge at New Hope, Pennsylvania;
- b. The Schuylkill River downstream of the Fairmount Dam in Philadelphia, Pennsylvania;
- c. All of the Ohio River;
- d. All of the Beaver River;
- e. All of the Little Beaver Creek;
- f. All of the Mahoning River;
- g. All of the Monongahela River;
- h. The Youghiogheny River from its mouth at McKeesport, Pennsylvania to river mile 31.2 at West Newton, Pennsylvania;
- i. The Allegheny River, from its mouth in Pittsburgh, Pennsylvania to river mile 197.4 at Kinzua Dam, north of Warren, Pennsylvania;
- j. The Kiskiminetas River from its mouth near Freeport, Pennsylvania to river mile 26.8 at Saltsburg, Pennsylvania;
- k. Tenmile Creek from its mouth at Millsboro, Pennsylvania to river mile 2.7; and
- l. Lake Erie activities which require submittal of a DEP Chapter 105 Joint Permit Application or Environmental Assessment to the DEP. For Lake Erie, the OHWM is located at elevation 573.4.

Question 2:

Answer YES if the proposed work will result in the diversion of more than 10,000 gallons per day of surface water or groundwater into or out of the Great Lakes Basin (Lake Erie Watershed).

Question 3:

Answer YES if more than 0.10 acre of shrub-scrub or forested wetland will be permanently converted to emergent wetland.

Question 4:

Answer YES if your application/registration is associated with a Single and Complete Project whereby a previous Department of the Army authorization has been issued through an Individual Permit, a Nationwide Permit, or a PASPGP processed by the Army Corps of Engineers (Corps) as a Category III/Reporting Activity. Also enter data associated with the prior authorizations into table, including the type of authorization or permit, permit or authorization number(s), date(s) of issuance, and permitted impacts (including square feet or linear feet). Types of authorizations or permits may be abbreviated as Corps Nationwide Permit (NWP), Corps Individual Permit (IP), or Corps PASPGP (SPGP).

Question 5:

Answer YES if the proposed project requires the preparation of an Environmental Impact Statement (EIS).

Question 6:

Answer YES if the proposed regulated activity or area of indirect impact (secondary impact) extends across state boundaries (i.e., the work is not wholly located within the Commonwealth of Pennsylvania).

Question 7:

Answer YES if the proposed project is part of or involves the construction or expansion of a residential, commercial or institutional subdivision or development.

Question 8:

Answer YES if greater than 0.25 acre of wetlands exist within the property boundary that are not being directly impacted as part of this application/registration. **If YES, provide total remaining wetland acreage.**

Question 9:

Answer YES if you proposing to protect the wetland area(s) through a deed restriction or conservation easement that follows the Corps' Model Protective Covenants. **If YES, attach a copy of the proposed deed restriction or conservation easement to this form and submit with your application / registration form. If you answer NO it is a Reporting action.**

Question 10:

Answer YES if temporary impacts associated with a Single and Complete Project will be in place greater than 1 year.
Also, answer YES if you are requesting an extension of an existing DEP Chapter 105 GP-8 or GP-11 acknowledgement that will result in the temporary impacts now exceeding one year.

Question 11:

Answer YES if you are proposing to do work in the Delaware River (upstream from the U.S. Route 202 Bridge in New Hope, Pennsylvania.) and/or the Lehigh River (from the mouth to FE Walter Dam, located in Carbon and Luzerne County, Pennsylvania between March 15 and June 30.

Question 12:

Answer YES if your project is proposed in one of the following waterways occupied by Federally listed, proposed, or candidate mussels or fish, or in waters of the United States within 300 feet of these listed waterways.

WATERWAYS	COUNTY
Allegheny River (from Kinzua Dam to the Ohio River)	Armstrong, Clarion, Forest, Venango, Warren,
Conewango Creek	Warren
French Creek	Crawford, Erie, Mercer, Venango
Conneaut Outlet	Crawford
Conneauttee Creek	Crawford
LeBoeuf Creek	Erie
Muddy Creek	Crawford
Shenango River (Pymatuning Reservoir to Big Bend)	Crawford and Mercer
Delaware River	Monroe, Pike, Wayne
Cussewago Creek	Crawford
Little Mahoning Creek	Indiana
Little Shenango River	Mercer
Oil Creek	Venango
West Branch of French Creek	Erie
Woodcock Creek	Crawford

Question 13:

Answer YES if your completed PNDI search identifies a potential conflict(s) for a Federally listed species.
 And you have received additional documented clearance from the USFWS, a "No Effect" determination from the Corps, or agree through signing the PNDI receipt to comply with the avoidance measures associated with Federally listed species in completing the proposed work **If you answer NO it is a Reporting action.**

Question 14:

Answer YES if you have any pending applications/registrations with DEP or the Corps that are necessary for your total proposed project to function and meet its intended purposed. **If YES, provide the following information:**
 Application/registration Number / Type: The application/registration number given by DEP, if known. If unknown, the application/registration type, enter DEP General Permit, Joint Permit Application, Dam Permit, Environmental Assessment, etc.



PASPGP-5 REVIEW CHECKLIST

NOTE: This checklist and instructions can be used as a tool to assist permit applicants to determine if a proposed project will be either a U.S. Army Corp of Engineer's Reporting or Non-Reporting action. It is not required to be submitted for a Chapter 105 permit review but, if provided, it may provide clarity to DEP during the permit review.

Applicant / Project Name:	County(ies):
---------------------------	--------------

- YES NO 1. Is any of the proposed work located waterward of the ordinary high water mark (OHWM) of any of the ineligible waterbodies identified in the instructions?
- YES NO 2. Does the proposed work result in the diversion of more than 10,000 gallons per day of surface water or groundwater into or out of the Great Lakes Basin (Lake Erie Watershed)?
- *****
- YES NO 3. Does the application/registration include any Single and Complete Projects that propose the permanent conversion of greater than 0.10 acre of forested and/or shrub-scrub wetlands in association with a regulated activity?
- YES NO 4. Is the application/registration associated with a Single and Complete Project whereby a previous Department of the Army authorization has been issued through an Individual Permit, a Nationwide Permit, or a PASPGP processed by the Corps as a Category III/Reporting Activity? **If YES, please complete the following table.**

Authorization Type	Authorization Number	Date (mm/dd/yyyy)	Federal Permitted Impacts	
			Wetlands	Waters

- YES NO 5. Does the proposed project require the preparation of an Environmental Impact Statement?
- YES NO 6. Does the proposed regulated activity or area of indirect impact (secondary impact) extend across state boundaries (i.e., the work is not wholly located within the Commonwealth of Pennsylvania)?
- YES NO 7. Does the Single and Complete Project involve the construction or expansion of a residential, commercial or institutional subdivision or development?
- YES NO 8. Does greater than 0.25 acre of wetland(s) exist within the property boundary that are not proposed to be directly impacted as part of this application/registration? **If YES, provide wetland acreage: _____ acres.**
- YES NO 9. Are you proposing to protect the wetland area(s) through a deed restriction or conservation easement that follows the Corps' Model Protective Covenant?
- YES NO 10. Does the proposed work temporarily impact waters and/or wetlands that will remain in place for more than 1 year?
- YES NO 11. Are you proposing to do work in the Delaware River (upstream from the U.S. Route 202 Bridge in New Hope, Pennsylvania.) and/or the Lehigh River (from the mouth to Francis E. Walter Dam, located in Carbon and Luzerne County, Pennsylvania between March 15 and June 30)?
- YES NO 12. Does the proposed work occur in any of the waters listed in the instructions?
- YES NO 13. Will you comply with all of the identified conservation measures?
- YES NO 14. Is there any other pending applications/registrations with the DEP or Corps that are necessary for this total proposed project to function and meet its intended purpose? **If YES, provide following information.**

Application / Registration Number / Type	Project Name	Date of Submittal to DEP (mm/dd/yyyy)	DEP / CCD Reviewing Office	Corps Reviewing Office

Applicant's Name / Client _____

**AQUATIC RESOURCE IMPACT TABLE
 FOR PENNSYLVANIA CHAPTER 105 WATER OBSTRUCTION AND ENCROACHMENT APPLICATION/REGISTRATION APPLICATION**

Please begin to complete the Aquatic Resource Impact Table by including the Applicant's Name / Client (upper right of the page) for each page. Also, complete the Project / Site Name (upper left of the table) and the date of application/registration package submission (upper right of the table, under Applicant's Name / Client). Then complete one row of data for each regulated (PA DEP Chapter 105) structure or activity and type of impact for the proposed project based on the instructions for each column below; add additional worksheets if needed. Provide completed Aquatic Resource Impact Table with **Chapter 105 Water Obstruction and Encroachment application/registration**; DO NOT submit instructions (page 1) for this table.

DEP Permit Number:	leave blank, it will be completed by DEP upon permit acknowledgment/issuance/verification.
Single Complete Crossing No.:	leave blank, it will be completed by DEP upon permit acknowledgment/issuance/verification.
Crossing Number:	leave blank, it will be completed by DEP upon permit acknowledgment/issuance/verification.

Fees	use the Chapter 105 Fee Calculation Worksheet 3150-PM-BWEW0553 to determine applicable fee(s), if needed.
Project Information	provide the appropriate information based on the details on each impact for the project
Structure / Activity Identifier:	provide a unique identifier for each regulated structure and/or activity being proposed, typically a name and number; this same unique identifier should be used in all aspects of the permit registration/application package. (i.e. GP-5-1, GP-5-2)
Aquatic Resource Type	provide the type of aquatic resource (based on watercourse, floodway or wetland) being impacted;
Watercourse:	provide the type of watercourse being impacted: perennial or intermittent stream
Floodway:	provide the type of floodway being impacted: crossing or paralleling to the stream
Wetland:	provide the type of wetland being impacted: PEM, PSS, PFO or POW wetland
Latitude (nad83):	provide the latitude of the aquatic resource impact in decimal degrees
Longitude (nad83):	provide the longitude of the aquatic resource impact in decimal degrees
Waters Name:	provide the name of the stream or other body of water (if available)
PA Code Chapter 93 Designation:	provide the Chapter 93 designation for the aquatic resource (i.e. HQ-CWF, WWF, EV, MF)

PA DEP Chapter 105 Impacts	provide the appropriate information based on the details on each impact for the project
Work Proposed:	provide the type of work proposed to impact the resource; aerial utility line, horizontal drill/boring, trench excavation or placement of fill
PADEP Impact Type:	provide the type of aquatic resource impact; temporary or permanent.
Watercourse Impact:	provide the length and width in feet of impact, indicate "n/a" if impact is to a wetland.
Floodway Impact:	provide the length and width in feet of direct and indirect/secondary 100-year floodway impact, indicate "n/a" if impact is to a wetland.
Wetland Impact:	provide the length and width in feet of impact to wetlands; indicate "n/a" if impact is to a watercourse.

Project / Site Name:		Date:		2018									
DEP USE ONLY		Project Information				PA DEP / 105							
PADEP Permit Number	Single Complete Crossing No.	Crossing Number	Structure / Activity unique identifier	Aquatic Resource Type	Latitude dd nad83	Longitude dd nad83	Waters Name	PA Code Chapter 93 Designation	Work Proposed	DEP Impact Type temp / perm	Watercourse Impact Top of Bank to Top of Bank Length and Width in feet	Floodway Impact Top of Bank Landward Length and Width in feet	Wetland Impact Dimensions Length and Width in feet
		250	GP-5-1	Perennial	417710531	77152930	Dunn Creek	CWF	Excavation	Temp	50 - 30	N/A	N/A
		N/A	GP-5-1	Perennial	417710531	77152930	Dunn Creek	CWF	Excavation	Temp	N/A	100 - 30	N/A
		250	GP-5-2	PEM	417710618	77152945			Excavation	Temp	N/A	N/A	10 - 30
		350	GP-7-1	Perennial	417710618	77152945	Dunn Creek	CWF	Excavation	Perm	20 - 30	100 - 30	

NOTE: Form 3150-PM-BWEW0557 or equivalent must be printed/submitted for this General Permit Registration or Joint Permit Application.

Applicant's Name / Client _____

AQUATIC RESOURCE IMPACT TABLE
FOR PENNSYLVANIA CHAPTER 105 WATER OBSTRUCTION AND ENCROACHMENT APPLICATION / REGISTRATION

Project / Site Name: _____		Date: _____												
DEP USE ONLY		Project Information										PADEP / 105		
PADEP Permit Number	Single Complete Crossing No.	Crossing Number	Fee	Structure / Activity unique identifier	Aquatic Resource Type	Latitude dd nad83	Longitude dd nad83	Waters Name	PA Code Chapter 93 Designation	Work Proposed	DEP Impact Type temp / perm	Watercourse Impact Top of Bank to Top of Bank Length and Width in feet	Floodway Impact Top of Bank Landward Length and Width in feet	Wetland Impact Dimension Length and Width in feet

PADEP Impact Type: temporary or permanent.

Permanent Impacts are those areas affected by a water obstruction or encroachment that consist of both direct and indirect impacts that result from the placement or construction of a water obstruction or encroachment and include areas necessary for the operation and maintenance of the water obstruction or encroachment located in, along or across, or projecting into a watercourse, floodway or body of water.

Temporary Impacts are those areas affected during the construction of a water obstruction or encroachment that consists of both direct and indirect impacts located in, along or across, or projecting into a watercourse, floodway or body of water that are restored upon completion of construction. This does not include areas that will be maintained as a result of the operation and maintenance of the water obstruction or encroachment located in, along or across, or projecting into a watercourse, floodway or body of water (these are considered permanent impacts).